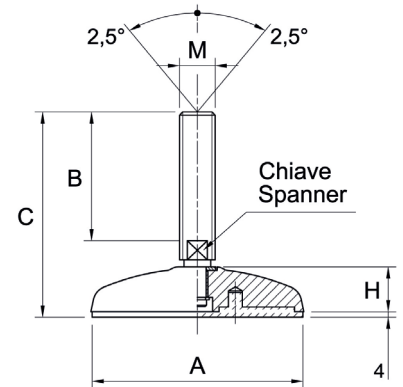


TN - TNX

Piede Antivibrante Orientabile con base in Acciaio Nichelato Alta Portata

Antivibration Mount with Nickel plated base High Load

Cod.	A	M	B	C	H	Chiave Spanner	Carico max Max Load daN	Stelo Stud	U.V.
A4TN16058	124	16MA	58	104	26	13	5500	Z	8
A4TN16119	124	16MA	119	165	26	13	5500	Z	8
A4TN16145	124	16MA	145	191	26	13	5500	Z	8
A4TN16201	124	16MA	201	247	26	13	5500	Z	8
A4TN18157	124	18MA	157	203	26	15	5500	Z	8
A4TN20107	124	20MA	107	156	26	17	5600	Z	8
A4TN20135	124	20MA	135	184	26	17	5600	Z	8
A4TN20157	124	20MA	157	206	26	17	5600	Z	8
A4TN20190	124	20MA	190	239	26	17	5600	Z	8
A4TN20238	124	20MA	238	287	26	17	5600	Z	8
A4TN24090	124	24MA	90	142	26	19	5700	Z	8
A4TN24127	124	24MA	127	179	26	19	5700	Z	8
A4TN24162	124	24MA	162	214	26	19	5700	Z	8
A4TN24202	124	24MA	202	254	26	19	5700	Z	8
A4TN30125	124	30MA	125	177	26	24	5800	Z	8
A4TN30185	124	30MA	185	237	26	24	5800	Z	8
A4TNX16058	124	16MA	58	104	26	13	5500	X	8
A4TNX16119	124	16MA	119	165	26	13	5500	X	8
A4TNX16145	124	16MA	145	191	26	13	5500	X	8
A4TNX16201	124	16MA	201	247	26	13	5500	X	8
A4TNX18157	124	18MA	157	203	26	15	5500	X	8
A4TNX20107	124	20MA	107	156	26	17	5600	X	8
A4TNX20135	124	20MA	135	184	26	17	5600	X	8
A4TNX20157	124	20MA	157	206	26	17	5600	X	8
A4TNX20190	124	20MA	190	239	26	17	5600	X	8
A4TNX20238	124	20MA	238	287	26	17	5600	X	8
A4TNX24090	124	24MA	90	142	26	19	5700	X	8
A4TNX24127	124	24MA	127	179	26	19	5700	X	8
A4TNX24162	124	24MA	162	214	26	19	5700	X	8
A4TNX24202	124	24MA	202	254	26	19	5700	X	8
A4TNX30125	124	30MA	125	177	26	24	5800	X	8
A4TNX30185	124	30MA	185	237	26	24	5800	X	8



Caratteristiche

Materiale Base: Acciaio nichelato

Materiale Stelo:

Z = Zincato

X= Acciaio inox AISI 304

Fornito completo di antivibrante colore nero in PVC morbido 68 shore

Presentazione Prodotto:

Stelo fornito già assemblato alla base

Product specification

Base Material: Nickel plated steel

Stud Material:

Z = Zinc plated

X= Stainless steel AISI 304

The feet are completed with anti-slip pad made in soft PVC 68 shore black colour.

Product Presentation:

Spindle supplied already assembled to the base