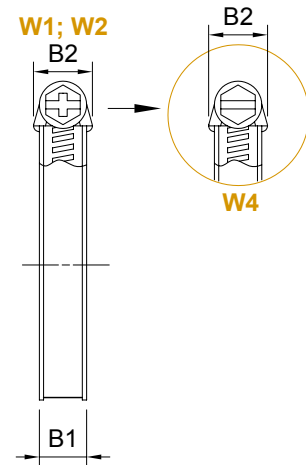
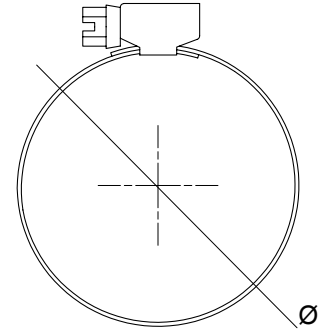


FZ - F - FX

Fascetta Stringitubo, Banda 9 mm

Worm Drive Hose Clamp, Band 9 mm

Cod. W1	Cod. W2	Cod. W4	Ø min. mm	Ø max. mm	B1 mm	B2 mm	Coppia di Serraggio Safe Working Torque	U.V.
FZ008	F008	FX008	8	12				100
FZ010	F010	FX010	10	16				100
FZ012	F012	FX012	12	20				100
-	F013	-	12	22				100
FZ016	F016	FX016	16	27				100
FZ020	F020	FX020	20	32				100
FZ025	F025	FX025	25	40				100
FZ030	F030	-	30	45				100
FZ032	F032	FX032	32	50				50
FZ040	F040	FX040	40	60				50
FZ050	F050	FX050	50	70				50
FZ060	F060	FX060	60	80		12 (W1)		50
FZ070	F070	FX070	70	90				25
FZ080	F080	FX080	80	100	9	11,4 (W2)	3 Nm	25
FZ090	F090	FX090	90	110				25
FZ100	F100	FX100	100	120		11,5 (W4)		25
FZ110	F110	FX110	110	130				25
FZ120	F120	FX120	120	140				25
FZ130	F130	FX130	130	150				25
FZ140	F140	FX140	140	160				25
FZ150	F150	FX150	150	170				25
FZ160	F160	FX160	160	180				25
FZ170	F170	FX170	170	190				25
FZ180	F180	FX180	180	200				25
FZ190	F190	FX190	190	210				25
-	F200	FX200	200	220				25
-	F210	FX210	210	230				25
-	-	FX230	230	250				25



Caratteristiche

W1

Banda, cassetto e vite a croce (chiave 7) in acciaio zincato

W2

Banda e cassetto in acciaio inox AISI 430; vite a croce (chiave 7) in acciaio zincato

INOX
Stainless Steel

W4

Banda, cassetto e vite a taglio (chiave 7) in acciaio inox AISI 304

Per agevolare l'avvitamento la vite viene immersa in un bagno di zincatura.

INOX
Stainless Steel

Caratteristiche Banda:

Dente pieno, bordi rialzati ed arrotondati

Product specification

W1

Zinc plated band, carter and cross screw - spanner 7

W2

AISI 430 band and carter; zinc plated cross screw - spanner 7

INOX
Stainless Steel

W4

AISI 304 band carter and slot screw - spanner 7

The screw had been galvanized to facilitate its tightening.

INOX
Stainless Steel

Band Features:

Threaded band pressed and raised, rounded edges