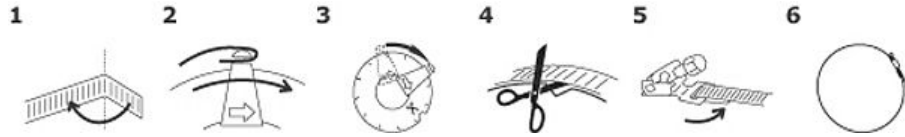
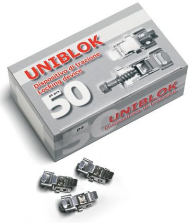


B3 Hose Clamps, Banding - SERIES **UX** Box 50 pcs. Locking devices INOX



Characteristics

- Band Material:** Stainless Steel AISI 304 EN 1.4301 W4
- Housing and Screw Material:** Stainless Steel AISI 304 W4
- Screw Features:** 7 mm. Spanner, cross + hexagon
- Housing and Screw Properties:** Over-turnable housing
- Product Presentation:** Carboard box
- Use:** On the NAX 30 band

Code	Packing Pcs.
B3U50X	1

B3 Hose Clamps, Banding - SERIES **STOOL** SUPERTOOL Steel Shear



Characteristics

- Material:** Steel
- Use:** To cut the NAV and NAX band, to bend it allowing the insert of locking devices with screw and to break off the stainless steel wire of spiral ducts

Code	Packing Pcs.
B3STOOL	1

B3 Hose Clamps, Banding - SERIES **MGK** Wing Clamps Packed 3 pcs.



Characteristics

Band Material: Stainless Steel AISI 304 EN 1.4301

Band Dimension: 9 mm Width, 0,6 mm. Thickness

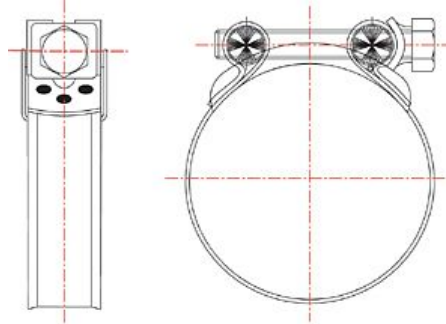
Band Features: Threaded band pressed and raised, rounded edge

Housing and Screw Material: Zinc Plated Steel

Screw Features: Wing Screw, Painted

Code	Min. Diam.	Max. Diam.	Band Width mm	Thickness mm.	Safe Working Torque daN	Packing Pcs.
B3MGK11	10	20	9	0,6	4,5	1
B3MGK16	16	27	9	0,6	4,5	1
B3MGK24	24	38	9	0,6	4,5	1

B3 Hose Clamps, Banding - SERIES **NN** W2 Bolt Clamp



Characteristics

Band Material: Stainless Steel AISI 430 EN 1.4016 W2

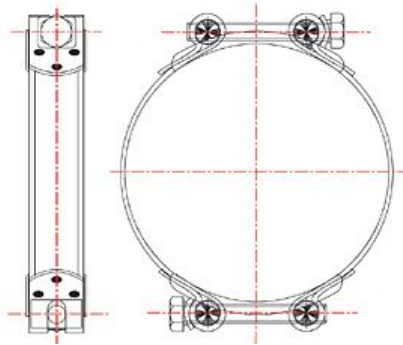
Housing and Screw Material: Zinc Plated Steel

Use: For Medium and High Pressure Seal, into the field of Agriculture, Building and Industry

Code	Min. Diam.	Max. Diam.	Band Width mm	Thickness mm.	Screw	Safe Working Torque daN	Packing Pcs.
B3NN023	23	25	21	0,8	M6	9,5	25
B3NN026	26	28	21	0,8	M6	9,5	25
B3NN029	29	31	21	0,8	M6	9,5	25
B3NN032	32	35	21	0,8	M6	9,5	25
B3NN036	36	39	21	0,8	M6	9,5	25
B3NN040	40	43	21	0,8	M6	9,5	25
B3NN044	44	47	21	0,8	M8	9,5	25
B3NN048	48	51	21	0,8	M8	9,5	25
B3NN052	52	55	21	0,8	M8	9,5	25
B3NN056	56	59	21	0,8	M8	9,5	25
B3NN060	60	63	21	0,8	M8	9,5	25
B3NN064	64	67	21	0,8	M8	9,5	25
B3NN068	68	73	24	1,2	M8	23	25
B3NN074	74	79	24	1,2	M8	23	25
B3NN080	80	85	24	1,2	M8	23	25
B3NN086	86	91	24	1,2	M8	23	25
B3NN092	92	97	24	1,2	M8	23	25
B3NN098	98	103	24	1,2	M8	23	25
B3NN104	104	112	24	1,2	M8	23	25

Code	Min. Diam.	Max. Diam.	Band Width mm	Thickness mm.	Screw	Safe Working Torque daN	Packing Pcs.
B3NN113	113	121	24	1,2	M8	23	25
B3NN122	122	130	24	1,2	M8	23	25
B3NN131	131	139	26	1,5	M10	23	25
B3NN140	140	148	26	1,5	M10	46	25
B3NN149	149	161	26	1,5	M10	46	25
B3NN162	162	174	26	1,5	M10	46	25
B3NN175	175	187	26	1,5	M10	46	25
B3NN188	188	200	26	1,5	M10	46	25
B3NN201	201	213	26	1,5	M10	46	25
B3NN214	214	226	26	1,5	M10	46	10
B3NN227	227	239	26	1,5	M10	46	10
B3NN240	240	252	26	1,5	M10	46	10
B3NN248	248	260	26	1,5	M10	46	10

B3 Hose Clamps, Banding - SERIES ND W2 Double Bolt Clamp



Characteristics

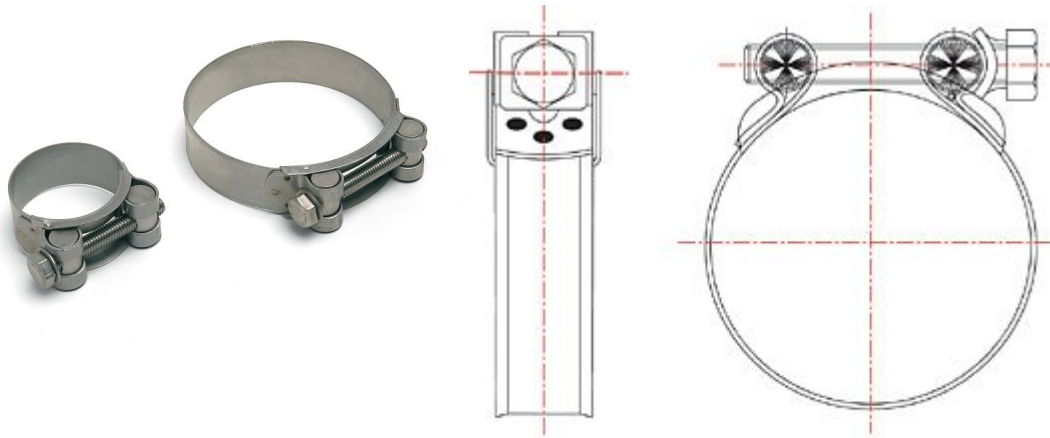
Band Material: Stainless Steel AISI 430 EN 1.4016 W2

Housing and Screw Material: Zinc Plated Steel

Use: For Medium and High Pressure Seal, into the field of Agriculture, Building and Industry

Code	Min. Diam.	Max. Diam.	Band Width mm	Thickness mm.	Screw	Safe Working Torque daN	Packing Pcs.
B3ND260	260	280	26	1,5	M10	46	10
B3ND280	280	300	26	1,5	M10	46	10
B3ND300	300	325	26	1,5	M10	46	10
B3ND325	325	350	26	1,5	M10	46	10
B3ND350	350	375	26	1,5	M10	46	10
B3ND375	375	400	26	1,5	M10	46	10
B3ND400	400	425	26	1,5	M10	46	10
B3ND425	425	450	26	1,5	M10	46	10
B3ND450	450	475	26	1,5	M10	46	10
B3ND475	475	500	26	1,5	M10	46	10

B3 Hose Clamps, Banding - SERIES NX W4 INOX Bolt Clamp



Characteristics

Band Material: Stainless Steel AISI 304 / DIN 1.4301 W4

Housing and Screw Material: Stainless Steel AISI 304 / DIN 1.4301 W4

Use: For Medium and High Pressure Seal, into the field of Agriculture, Building and Industry

Code	Min. Diam.	Max. Diam.	Band Width mm	Thickness mm.	Screw	Safe Working Torque daN	Packing Pcs.
B3NX023	23	25	21	0,8	M6	11	25
B3NX026	26	28	21	0,8	M6	11	25
B3NX029	29	31	21	0,8	M6	11	25
B3NX032	32	35	21	0,8	M6	11	25
B3NX036	36	39	21	0,8	M6	11	25
B3NX040	40	43	21	0,8	M6	11	25
B3NX044	44	47	21	0,8	M8	11	25
B3NX048	48	51	21	0,8	M8	11	25
B3NX052	52	55	21	0,8	M8	11	25
B3NX056	56	59	21	0,8	M8	11	25
B3NX060	60	63	21	0,8	M8	11	25
B3NX064	64	67	21	0,8	M8	11	25
B3NX068	68	73	24	1,2	M8	11	25
B3NX074	74	79	24	1,2	M8	11	25
B3NX080	80	85	24	1,2	M8	11	25
B3NX086	86	91	24	1,2	M8	11	25
B3NX092	92	97	24	1,2	M8	11	25
B3NX098	98	103	24	1,2	M8	11	25
B3NX104	104	112	24	1,2	M8	11	25
B3NX113	113	121	24	1,2	M8	11	25
B3NX122	122	130	24	1,2	M8	11	25
B3NX131	131	139	26	1,5	M8	11	25
B3NX140	140	148	26	1,5	M8	11	25
B3NX149	149	161	26	1,5	M8	11	25
B3NX162	162	174	26	1,5	M8	11	25
B3NX175	175	187	26	1,5	M8	11	25
B3NX188	188	200	26	1,5	M8	11	25

B3 Hose Clamps, Banding - SERIES RB White Nylon Cable Ties



Characteristics

Material: Nylon 6/6 MIL-SPEC M 20693 B

Use: Ideal for clamping Single or Bunched Cables, and Also Suitable in Agricultural, Industrial, Do-It Yourself etc. Fields

Notes: Certification UL file E118226 - MIL - S - 231 - 90E

Code	Length mm	Width mm	Max. Diam.	Tightness daN	Temperature of use °C	Packing Pcs.
B3RB080/2	80	2,5	15	8	from -40 to 85° C.	100
B3RB102/2	102	2,5	19	8	from -40 to 85° C.	100
B3RB140/2	140	2,5	34	8	from -40 to 85° C.	100
B3RB160/2	160	2,5	40	8	from -40 to 85° C.	100
B3RB202/2	202	2,5	50	8	from -40 to 85° C.	100
B3RB140/3	140	3,6	34	18	from -40 to 85° C.	100
B3RB202/3	202	3,6	50	18	from -40 to 85° C.	100
B3RB302/3	302	3,6	77	18	from -40 to 85° C.	100
B3RB120/4	120	4,8	25	22	from -40 to 85° C.	100
B3RB160/4	160	4,8	40	22	from -40 to 85° C.	100
B3RB186/4	186	4,8	46	22	from -40 to 85° C.	100
B3RB200/4	200	4,8	50	22	from -40 to 85° C.	100
B3RB250/4	250	4,8	60	22	from -40 to 85° C.	100
B3RB286/4	286	4,8	75	22	from -40 to 85° C.	100
B3RB368/4	368	4,8	100	22	from -40 to 85° C.	100
B3RB428/4	428	4,8	115	22	from -40 to 85° C.	100
B3RB202/7	202	7,6	48	54	from -40 to 85° C.	100
B3RB292/7	292	7,6	75	54	from -40 to 85° C.	100
B3RB368/7	368	7,6	100	54	from -40 to 85° C.	100
B3RB450/7	450	7,6	125	54	from -40 to 85° C.	100
B3RB525/9	525	9	150	79	from -40 to 85° C.	100
B3RB798/9	798	9	230	79	from -40 to 85° C.	100

B3 Hose Clamps, Banding - SERIES RN Black Nylon Cable Ties



Characteristics

Material: Nylon 6/6 MIL-SPEC M 20693 B

Use: Ideal for clamping Single or Bunched Cables, and Also Suitable in Agricultural, Industrial, Do-It Yourself etc. Fields

Notes: Certification UL file E118226 - MIL - S - 231 - 90E

Code	Length mm	Width mm	Max. Diam.	Tightness daN	Temperature of use °C	Packing Pcs.
B3RN080/2	80	2,5	15	8	from -40 to 85° C.	100
B3RN102/2	102	2,5	19	8	from -40 to 85° C.	100
B3RN140/2	140	2,5	34	8	from -40 to 85° C.	100
B3RN160/2	160	2,5	40	8	from -40 to 85° C.	100
B3RN202/2	202	2,5	50	8	from -40 to 85° C.	100
B3RN140/3	140	3,6	34	18	from -40 to 85° C.	100
B3RN202/3	202	3,6	50	18	from -40 to 85° C.	100
B3RN302/3	302	3,6	77	18	from -40 to 85° C.	100
B3RN120/4	120	4,8	25	22	from -40 to 85° C.	100
B3RN160/4	160	4,8	40	22	from -40 to 85° C.	100
B3RN186/4	186	4,8	46	22	from -40 to 85° C.	100
B3RN200/4	200	4,8	50	22	from -40 to 85° C.	100
B3RN250/4	250	4,8	60	22	from -40 to 85° C.	100
B3RN286/4	286	4,8	75	22	from -40 to 85° C.	100
B3RN368/4	368	4,8	100	22	from -40 to 85° C.	100
B3RN428/4	428	4,8	115	22	from -40 to 85° C.	100
B3RN202/7	202	7,6	48	54	from -40 to 85° C.	100
B3RN292/7	292	7,6	75	54	from -40 to 85° C.	100
B3RN368/7	368	7,6	100	54	from -40 to 85° C.	100
B3RN450/7	450	7,6	125	54	from -40 to 85° C.	100
B3RN525/9	525	9	150	79	from -40 to 85° C.	100
B3RN798/9	798	9	230	79	from -40 to 85° C.	100

B3 Hose Clamps, Banding - SERIES PI Gun for nylon ties



Code	Measures Range	Packing Pcs.
B3PI25	from 2,5 to 4,8 mm.	1
B3PI36	from 3,6 to 9 mm.	1

B3 Hose Clamps, Banding - SERIES BB White 4-ways Securing



Characteristics

Material: Nylon 6/6 UL 94 V2

Use: To be used with nylon ties for fastening of cables or tubes

Code	Base mm.	Hole mm	Colour	Packing Pcs.
B3BB19	19	4	Bianco	100
B3BB28	28	5	Bianco	100