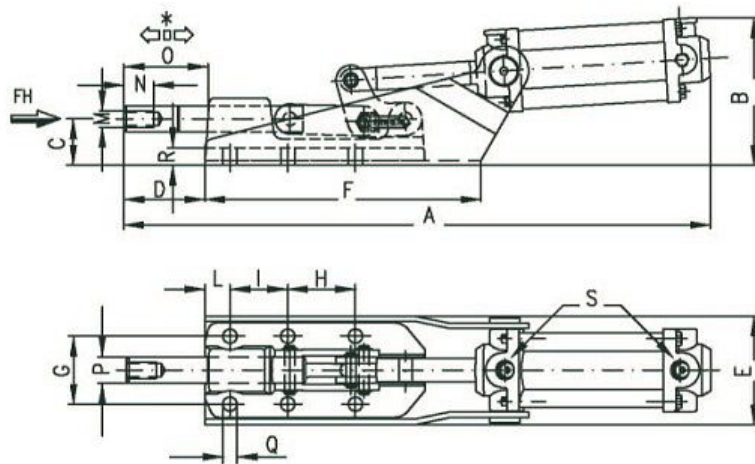


B2c Toggle Clamps - SERIES **SBPS** Straight-line Pneumatic Series



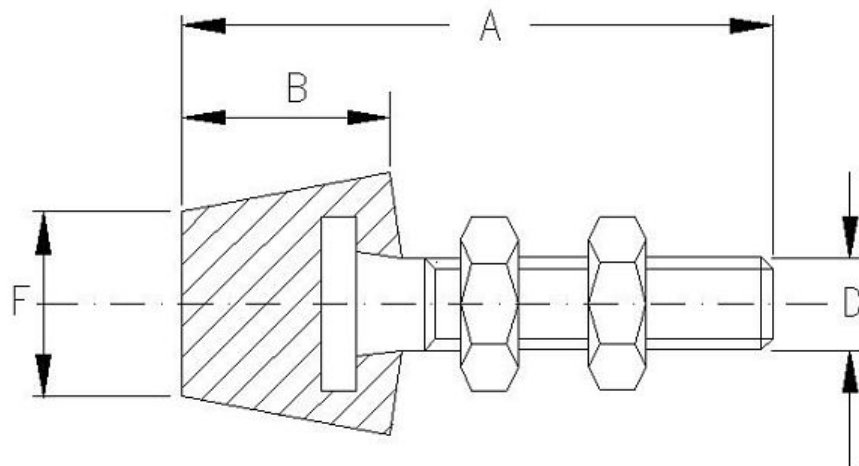
Characteristics

Main Part Material: Components in UNI 5867 case-hardening sheet steel. Hardening and tempered supporting pivots

Notes: M as code's last letter point out the MAGNETIC MODELS

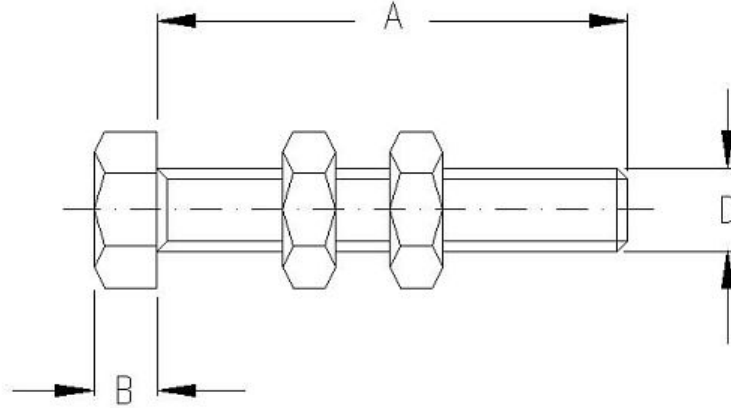
Code	A	B	C	D	E	F	G	H	L	M	N	O	P	Q	R	S	Stroke mm	Max Clamping Force daN	Weight gr.	Packing Pcs.
B2SBP70/SP3	171	51	14	20	42	64	26	26	13	M6	12	22	8,5	4,3	8	1/8"	12	120	550	1
B2SBP360/SP3	260	72,5	27,5	32	55	116	33,5	36,5	30	M8	15	34	12	5,5	8,5	1/8"	22	560	1300	1
B2SBP360/SPM	260	72,5	27,5	32	55	116	33,5	36,5	30	M8	15	34	12	5,5	8,5	1/8"	22	560	1300	1
B2SBP1100/SP3	355	89	28	49	66	167	41	41	15	M10	18	51,5	16	8,5	12	1/4"	32	1600	2400	1
B2SBP1100/SPM	355	89	28	49	66	167	41	41	15	M10	18	51,5	16	8,5	12	1/4"	32	1600	2400	1
B2SBP2100/SP3	461,5	100	38,5	61,5	81	232	50	50	35	M12	22	64,5	20	8,5	13	1/4"	45	2500	5000	1
B2SBP2100/SPM	461,5	100	38,5	61,5	81	232	50	50	35	M12	22	64,5	20	8,5	13	1/4"	45	2500	5000	1

B2c Toggle Clamps - SERIES **SBA** Neoprene Head Spindle + 2 nuts



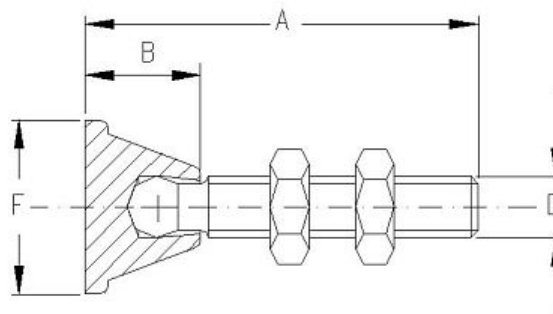
Code	A	B	D	F	On request	Packing Pcs.
B2SBA10140	45	11	M5	10	Stainless Steel Version	1
B2SBA10141	55	12	M6	13	Stainless Steel Version	1
B2SBA10142	68	16	M8	16	Stainless Steel Version	1
B2SBA10143	80	20	M10	20		1

B2c Toggle Clamps - SERIES **SBA1** Hex Head Spindle + 2 nuts



Code	A	B	D	On request	Packing Pcs.
B2SBA10099	20	3	M4	Stainless Steel Version	1
B2SBA10100	35	3	M5	Stainless Steel Version	1
B2SBA10101	45	3,5	M6	Stainless Steel Version	1
B2SBA10102	55	4	M8	Stainless Steel Version	1
B2SBA10103	65	5,5	M10		1
B2SBA10104	80	7	M12		1
B2SBA10105	120	8	M12		1

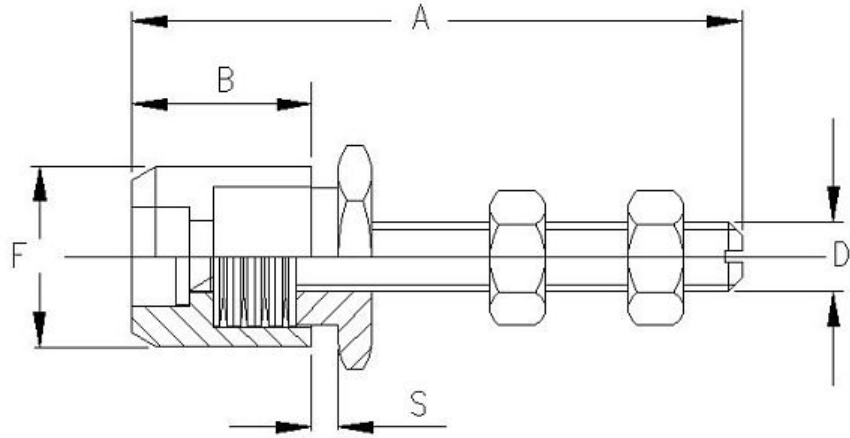
B2c Toggle Clamps - SERIES **SBA2** Swivel-foot Spindle + 2 nuts



Code	A	B	D	F	On request	Packing Pcs.
B2SBA10120	36	9,5	M5	14	Stainless Steel Version	1

Code	A	B	D	F	On request	Packing Pcs.
B2SBA10121	45	10	M6	16	Stainless Steel Version	1
B2SBA10122	65	12	M8	18	Stainless Steel Version	1
B2SBA10123	75	14	M10	20		1
B2SBA10124	85	16	M12	24		1
B2SBA10125	125	16	M12	24		1

B2c Toggle Clamps - SERIES **SBA3** Spring Spindle + 2 nuts



Code	A	B	D	F	Packing Pcs.
B2SBA10128	45	13	M5	10	1
B2SBA10129	50	15	M6	13	1
B2SBA10130	70	17	M8	15	1
B2SBA10131	85	20	M10	18	1
B2SBA10132	106	24	M12	21	1

B2c Toggle Clamps - SERIES **SBA10** 10 W Proximity Switch



Characteristics

Specific Features: AU450: Suitable for the models 400/APM and 2100/SPM; AU460: Suitable for the models 200/APM/APVM, 300/APM/APVM, 360/SPM and 2100/SPM

Code	Packing Pcs.
B2SBAU450	1
B2SBAU460	1

B2c Toggle Clamps - SERIES SBA6 6 W Proximity Switch



Characteristics

Specific Features: Suitable for the models 1000 / EPM / EPVM - 2000 / EPM / EPVM

Code	Packing Pcs.
B2SBAU470	1