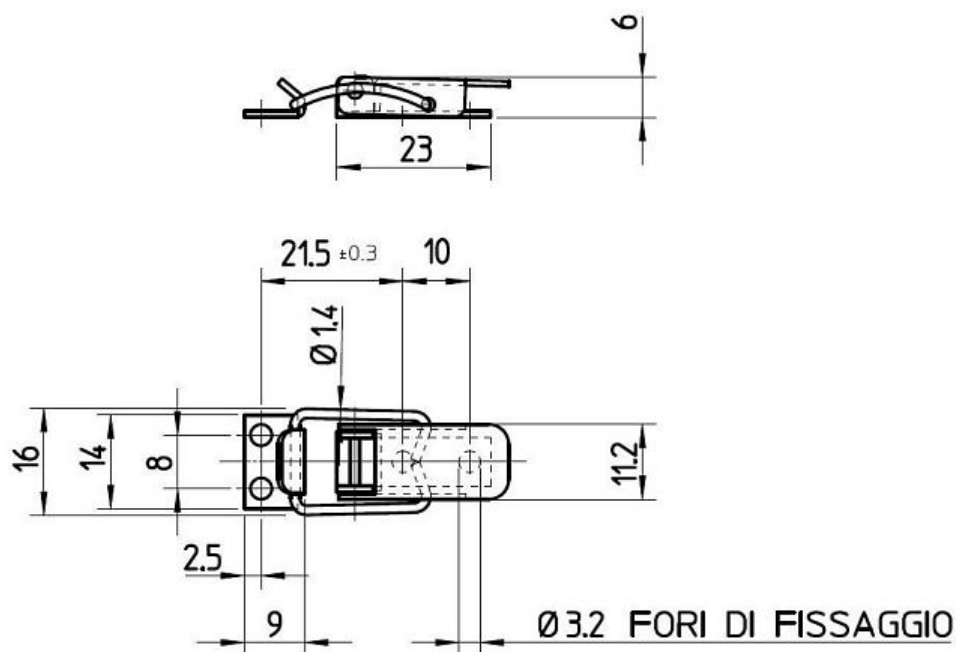


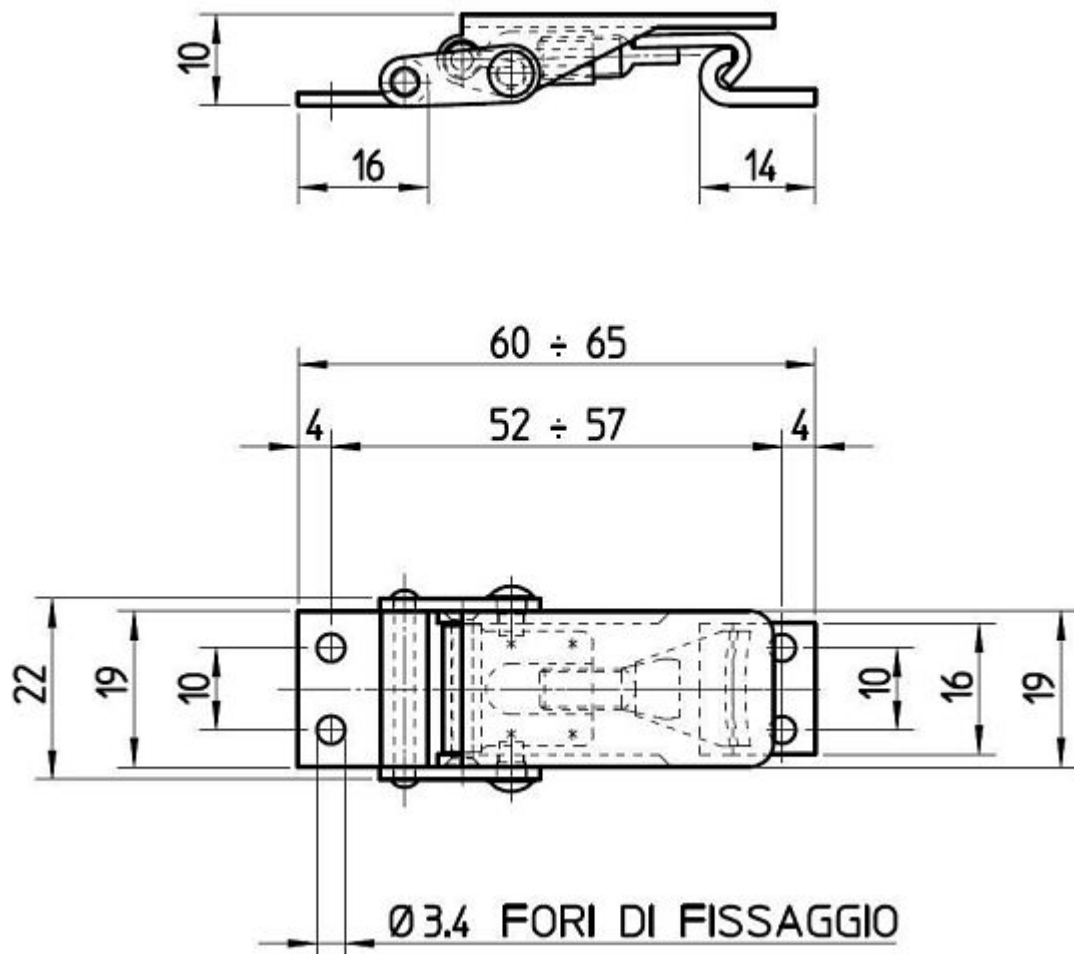
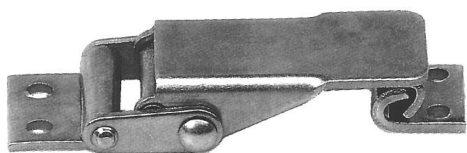
**B2b Latches & Case-Handles** - SERIES LK45 23 mm. Toggle Latch



**Characteristics**

**Product Presentation:** The supply includes the toggle latch with the strike

Code	Material	Max Dynamic load daN	Max Tension Load daN	Packing Pcs.
B2LK45	Zinc Plated Steel	15	30	10

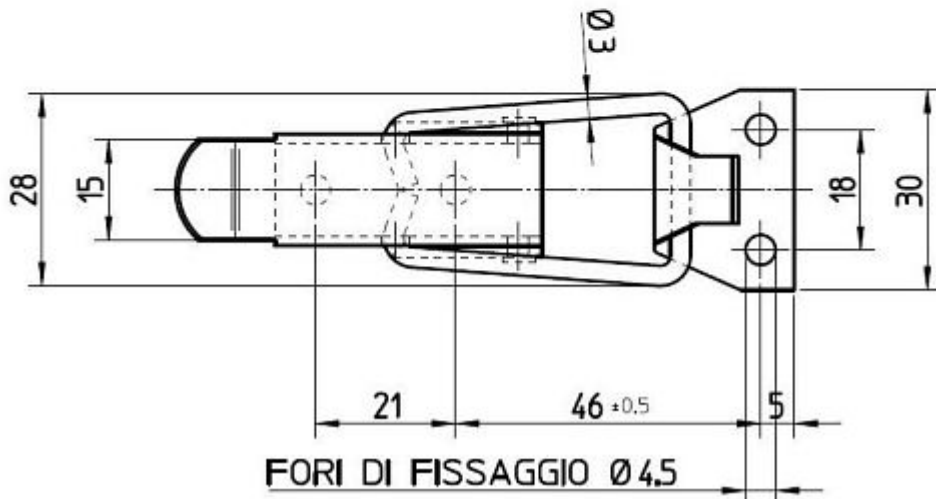
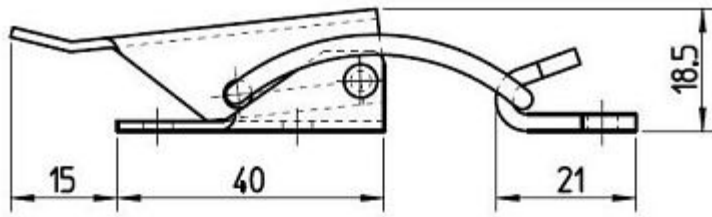


#### Characteristics

**Product Presentation:** The supply includes the toggle latch with the strike

Code	Material	Max Dynamic load daN	Max Tension Load daN	Packing Pcs.
B2LK46	Zinc Plated Steel	75	150	10

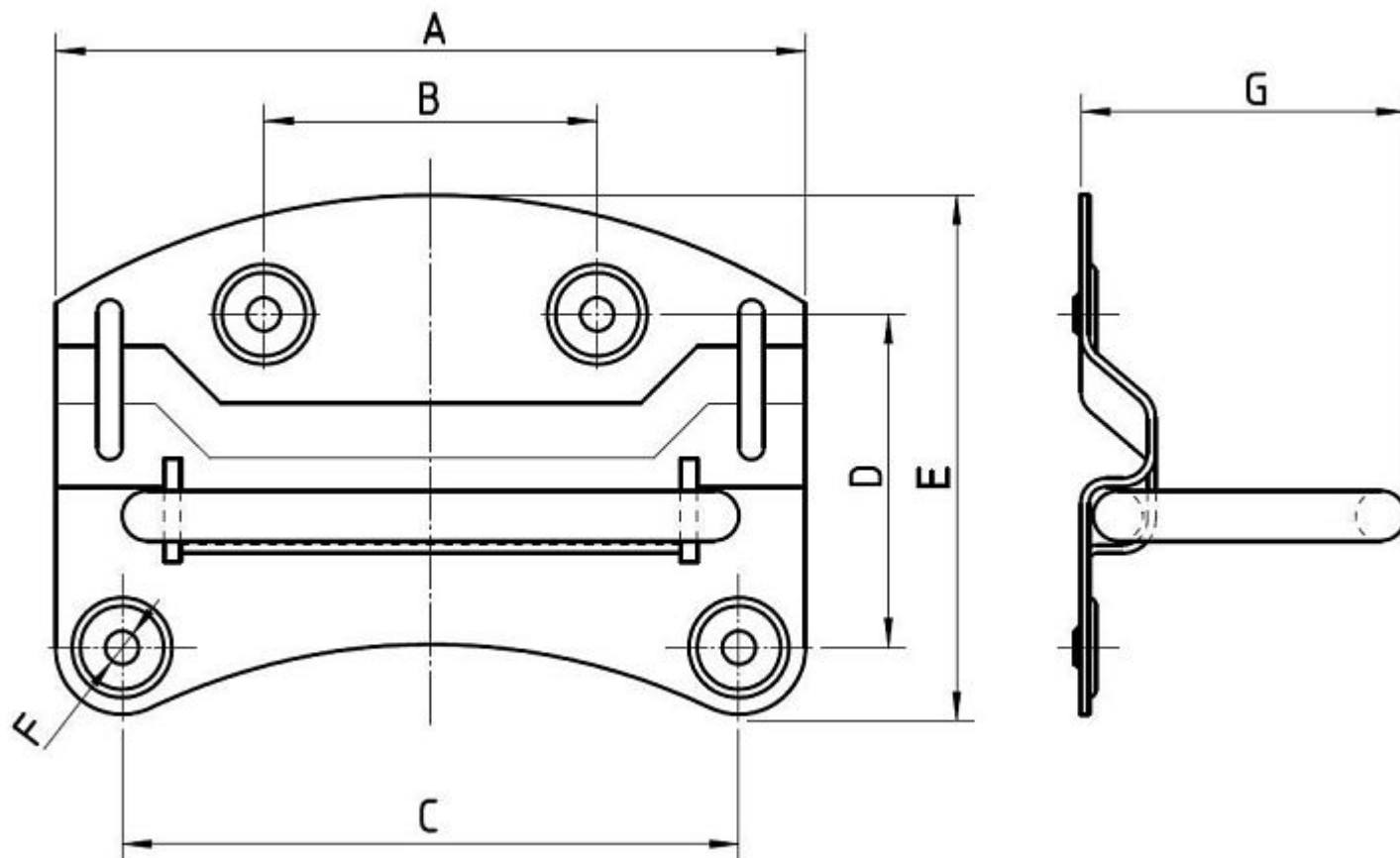
**B2b Latches & Case-Handles** - SERIES LK52 55 mm. Toggle Latch



**Characteristics**

**Product Presentation:** The supply includes the toggle latch with the strike

Code	Material	On request	Max Dynamic load daN	Max Tension Load daN	Packing Pcs.
B2LK52	Zinc Plated Steel	Bronzed Steel	100	250	10



**Characteristics**

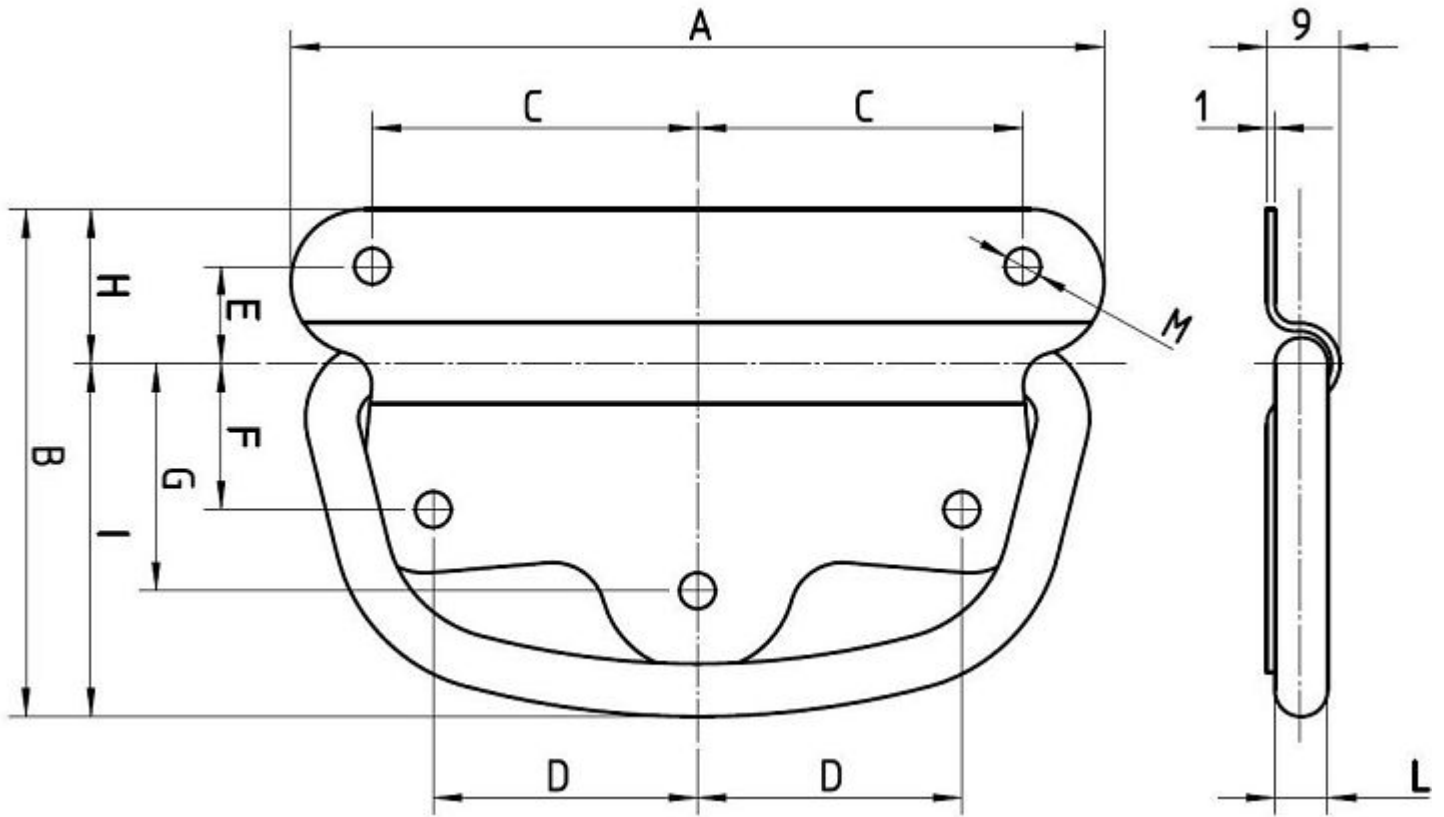
**Material:** Zinc Plated Steel

**On request:** Brass, burnished, unplated by request for min. 5000 pz

**Notes:** Wire Diameter mm. 6,5

Code	A	B	C	D	E	F	G	Packing Pcs.
B2MB090	90	42	72	40	67	4,2	40	10
B2MB110	110	57	84	48	84	4,5	55	10

**B2b Latches & Case-Handles** - SERIES MC Case-Handle



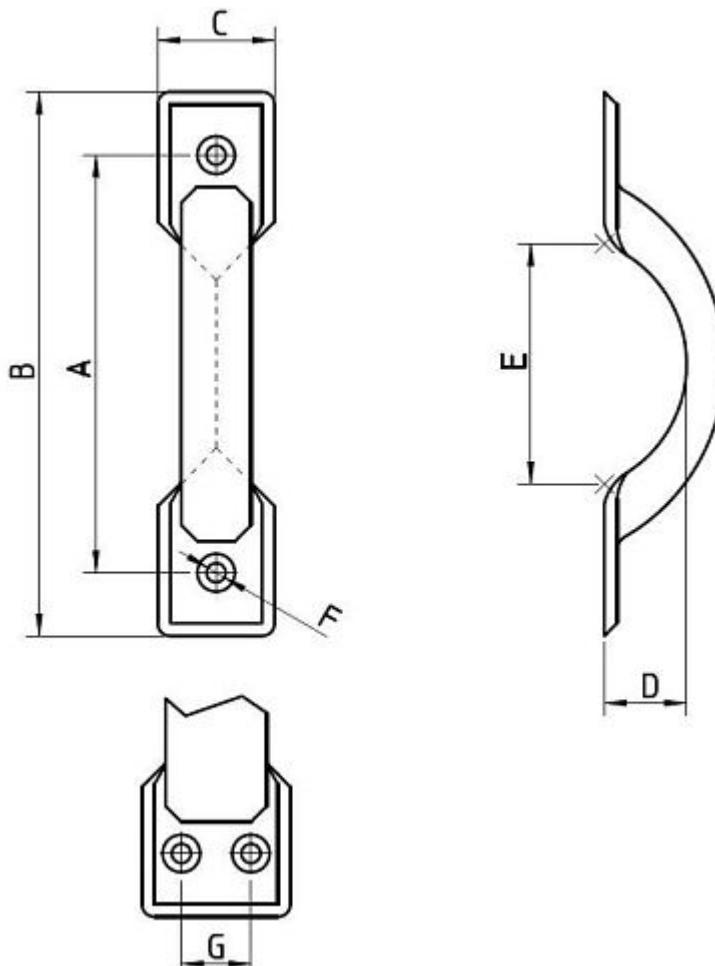
**Characteristics**

**Material:** Zinc Plated Steel

**On request:** Brass Plated, Burnished Plated, Unplated

Code	A	B	C	D	E	F	G	H	I	L	M	Packing Pcs.
B2MC080	80	56	33	27	11	13	20	18	38	6	4	10
B2MC090	90	61	37,5	30	11	20	28	17	44	6,5	4,4	10
B2MC100	100	62,5	40	32,5	12	18	28	19	43,5	6,5	4,4	10
B2MC110	110	66,5	45	37,5	13	25	37	19	47,5	7	5	10

**B2b Latches & Case-Handles** - SERIES MI Deep Drawn Handle



**Characteristics**

**Material:** Nikel Plated Steel

**On request:** Zinc Plated

Code	A	B	C	D	E	F	Packing Pcs.
<b>B2MI080</b>	66	80	18,5	13	38	3,2	10
<b>B2MI100</b>	83	100	21,5	13	48	3,2	10
<b>B2MI120</b>	99	120	24,5	16	60	3,2	10
<b>B2MI140</b>	121	140	28,5	19	70	3,2	10
<b>B2MI160</b>	140	160	29,5	24	80	3,2	10

