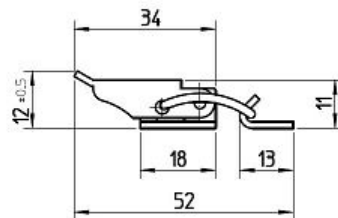


**B2b Latches & Case-Handles** - SERIES **LK04** 34 mm. Toggle Latch

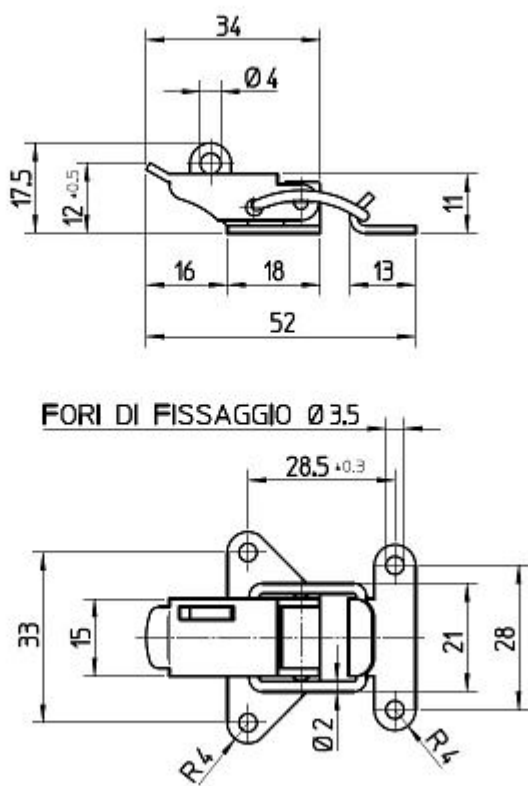
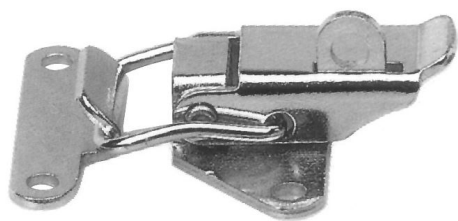


**Characteristics**

**Product Presentation:** The supply includes the toggle latch with the strike

Code	Material	On request	Max Dynamic load daN	Max Tension Load daN	Packing Pcs.
<b>B2LK04</b>	Zinc Plated Steel	Unplated or Nickel Plated Steel	55	150	10
<b>B2LK04X</b>	Stainless Steel	Unplated or Nickel Plated Steel	55	150	10

**B2b Latches & Case-Handles** - SERIES LKL04 34 mm. Hasp Toggle Latch

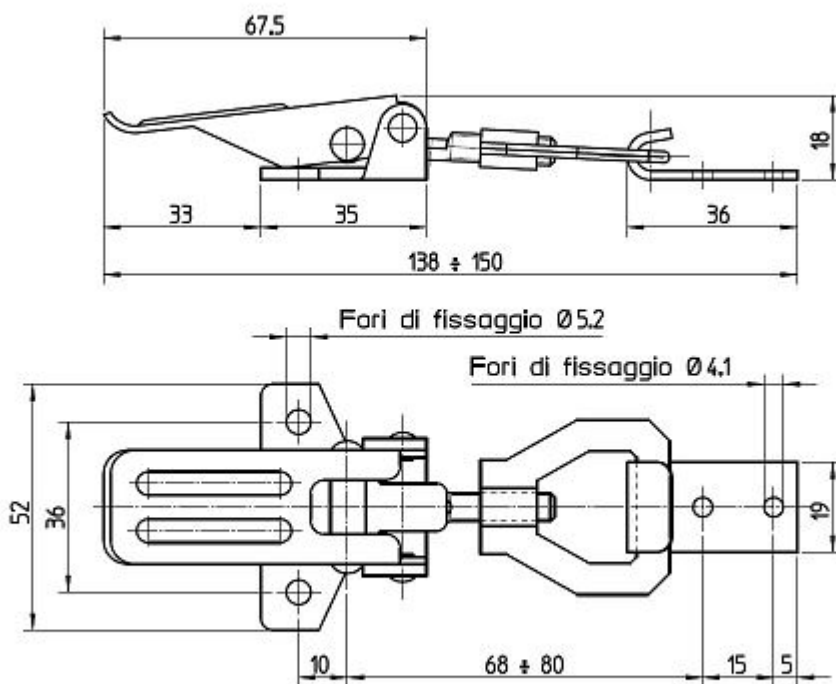


**Characteristics**

**Product Presentation:** The supply includes the toggle latch with the strike

Code	Material	On request	Max Dynamic load daN	Max Tension Load daN	Packing Pcs.
B2LKL04	Zinc Plated Steel	Unplated or Nickel Plated Steel	55	150	10

**B2b Latches & Case-Handles** - SERIES **LK05** Adjustable Toggle Latch

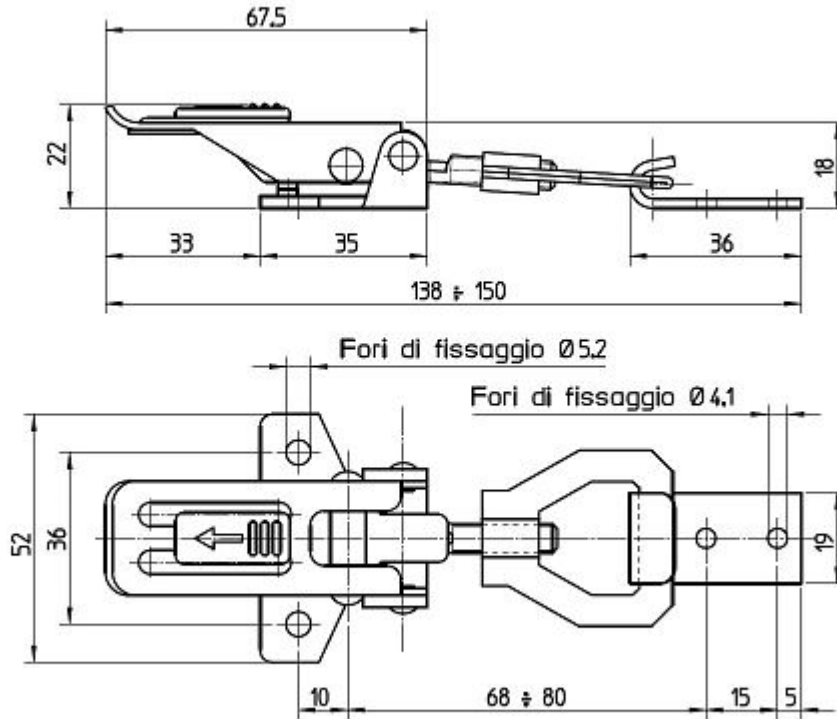
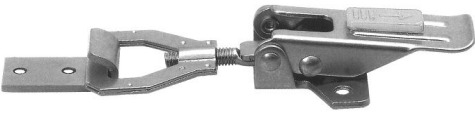


**Characteristics**

**Product Presentation:** The supply includes the toggle latch with the strike

Code	Material	On request	Max Dynamic load daN	Max Tension Load daN	Packing Pcs.
<b>B2LK05</b>	Zinc Plated Steel	Unplated or Nickel Plated Steel	110	250	10
<b>B2LK05X</b>	Stainless Steel	Unplated or Nickel Plated Steel	110	250	10

**B2b Latches & Case-Handles** - SERIES LKS05 Adjustable Toggle Latch with secondary lock

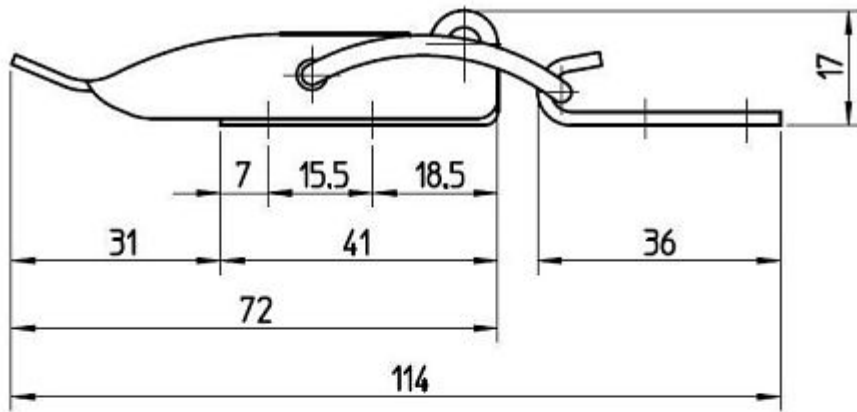


**Characteristics**

**Product Presentation:** The supply includes the toggle latch with the strike

Code	Material	Max Dynamic load daN	Max Tension Load daN	Packing Pcs.
B2LKS05	Nickel Plated Steel	110	250	10
B2LKS05X	Stainless Steel	110	250	10

**B2b Latches & Case-Handles** - SERIES LK06 72 mm. Toggle Latch

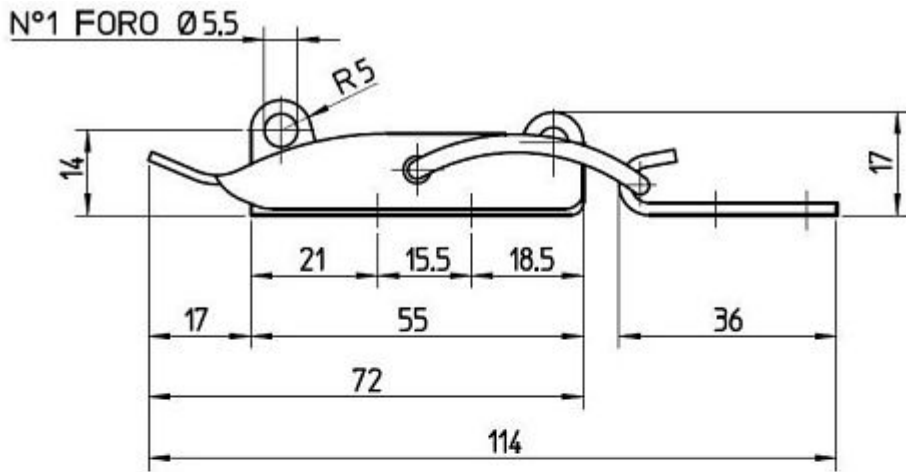


**Characteristics**

**Product Presentation:** The supply includes the toggle latch with the strike

Code	Material	On request	Max Dynamic load daN	Max Tension Load daN	Packing Pcs.
B2LK06	Zinc Plated Steel	Unplated or Nickel Plated Steel	100	250	10
B2LK06X	Stainless Steel	Unplated or Nickel Plated Steel	100	250	10

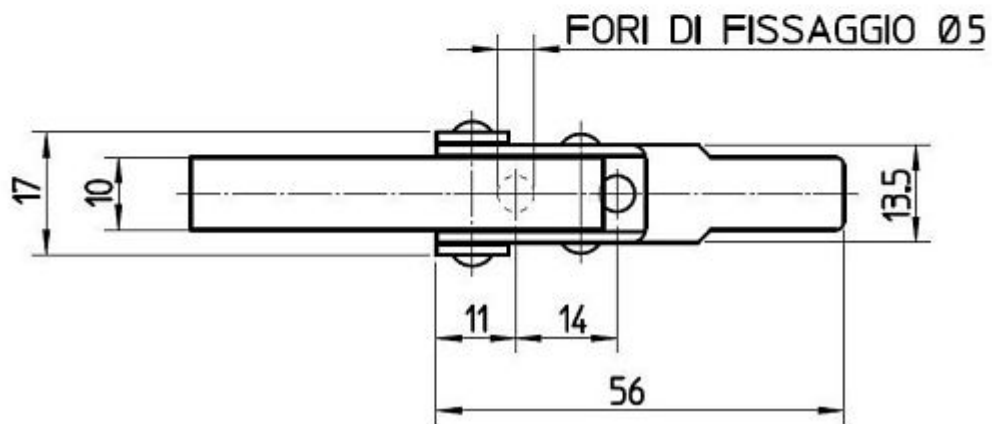
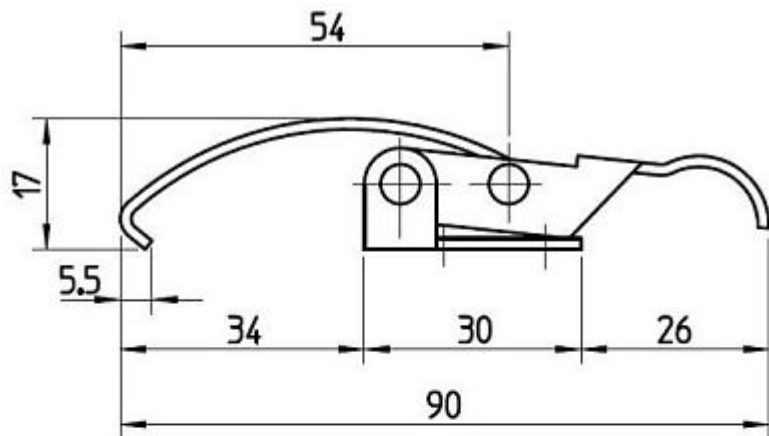
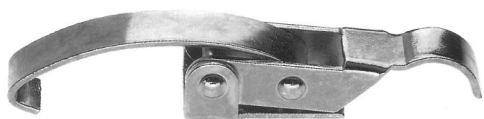
**B2b Latches & Case-Handles** - SERIES LKL06 72 mm. Hasp Toggle Latch



**Characteristics**

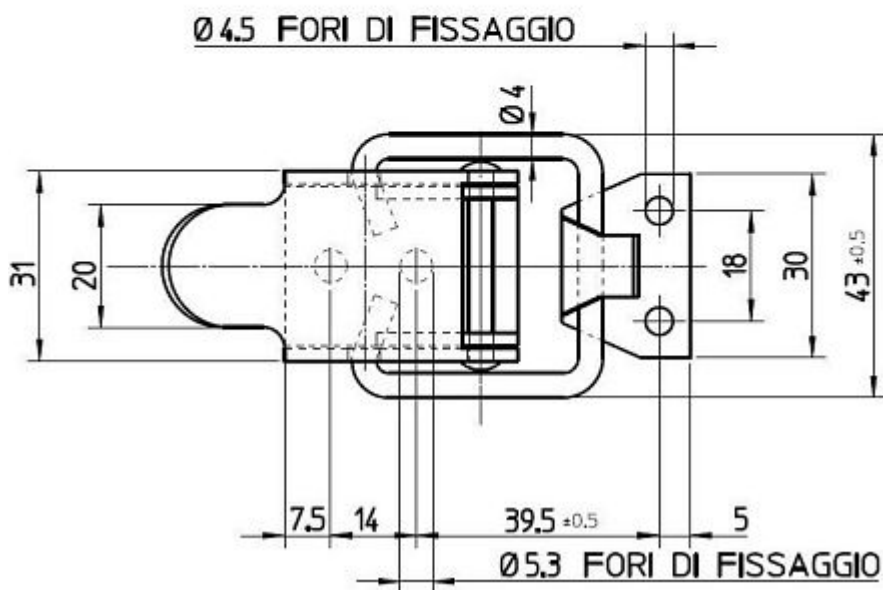
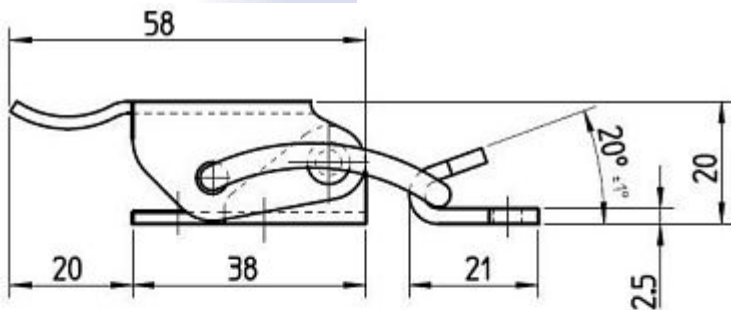
**Product Presentation:** The supply includes the toggle latch with the strike

Code	Material	On request	Max Dynamic load daN	Max Tension Load daN	Packing Pcs.
B2LKL06	Zinc Plated Steel	Unplated or Nickel Plated Steel	100	250	10
B2LKL06X	Stainless Steel	Unplated or Nickel Plated Steel	100	250	10



Code	Material	On request	Max Dynamic load daN	Max Tension Load daN	Packing Pcs.
B2LK08	Zinc Plated Steel	Unplated or Nickel Plated Steel	50	90	10
B2LK08X	Stainless Steel	Unplated or Nickel Plated Steel	50	90	10

**B2b Latches & Case-Handles** - SERIES LK10 58 mm. Toggle Latch

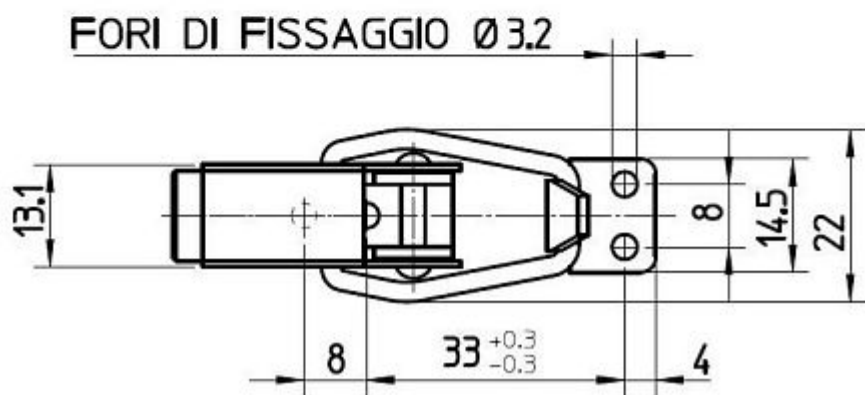
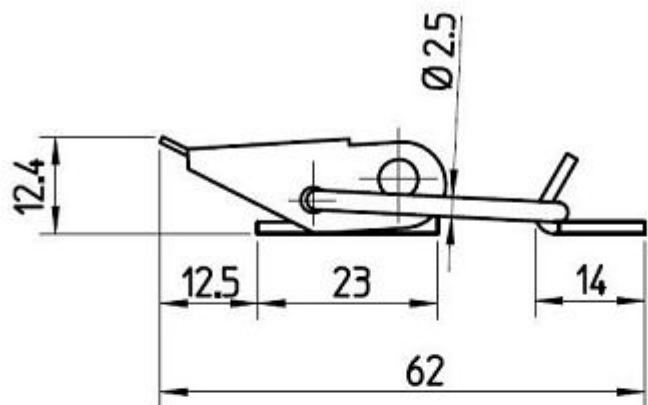


**Characteristics**

**Product Presentation:** The supply includes the toggle latch with the strike

Code	Material	Max Dynamic load daN	Max Tension Load daN	Packing Pcs.
B2LK10	Zinc Plated Steel	150	300	10

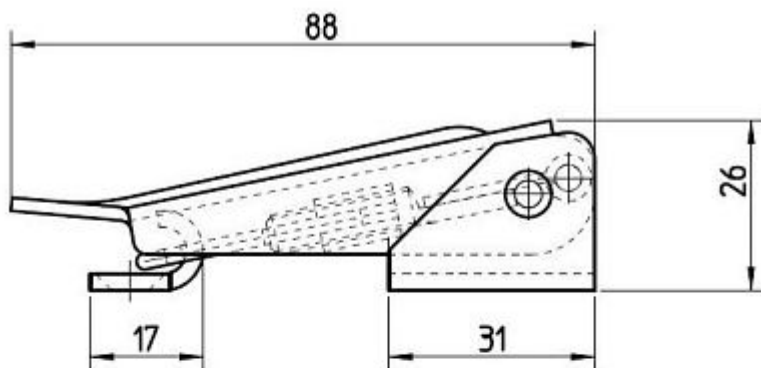
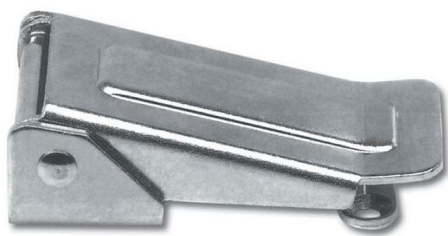
**B2b Latches & Case-Handles** - SERIES LK17 35 mm. Toggle Latch



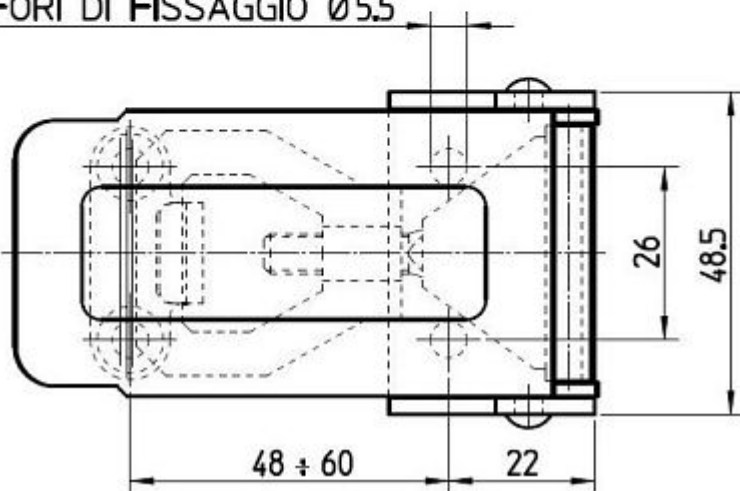
**Characteristics**

**Product Presentation:** The supply includes the toggle latch with the strike

Code	Material	Max Dynamic load daN	Max Tension Load daN	Packing Pcs.
B2LK17	Zinc Plated Steel	40	100	10



FORI DI FISSAGGIO Ø5.5



### Characteristics

**Product Presentation:** The supply includes the toggle latch with the strike

Code	Material	Max Dynamic load daN	Max Tension Load daN	Packing Pcs.
B2LK18	Zinc Plated Steel	150	300	10
B2LK18X	Stainless Steel	150	300	10