
















B2b Latches & Case-Handles

 <p>LK00 112 mm. Toggle Latch</p>	 <p>LKA00 112 mm. Click-Arrest Toggle Latch</p>	 <p>LKL00 112 mm. Hasp Toggle Latch</p>	 <p>LKS00 112 mm. Toggle Latch with secondary lock</p>
 <p>LK01 86 mm. Toggle Latch</p>	 <p>LKL01 86 mm. Hasp Toggle Latch</p>	 <p>LK02 47 mm. Toggle Latch</p>	 <p>LK03 60 mm. Toggle Latch</p>
 <p>LKL03 60 mm. Hasp Toggle Latch</p>	 <p>LKS03 60 mm. Toggle Latch with secondary lock</p>	 <p>LK04 34 mm. Toggle Latch</p>	 <p>LKL04 34 mm. Hasp Toggle Latch</p>
 <p>LK05 Adjustable Toggle Latch</p>	 <p>LKS05 Adjustable Toggle Latch with secondary lock</p>	 <p>LK06 72 mm. Toggle Latch</p>	 <p>LKL06 72 mm. Hasp Toggle Latch</p>

B2b Latches & Case-Handles



LK08
Claw Link Toggle
Latch



LK10
58 mm. Toggle
Latch



LK17
35 mm. Toggle
Latch



LK18
88 mm. Adjustable
Toggle Latch



LKL18
88 mm. Adjustable
Hasp Toggle Latch



LK19
Steel Link Toggle
Latch



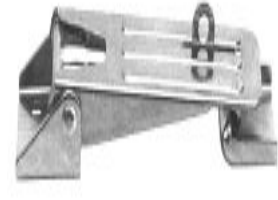
LK30
94 mm. Adjustable
Toggle Latch



LKS30
94 mm. Adjustable
Toggle Latch with
secondary lock



LK40
150 mm.
Adjustable Toggle
Latch



LKL40
150 mm.
Adjustable Hasp
Toggle Latch



LK41
80 mm. Adjustable
Toggle Latch



LKS41
80 mm. Adjustable
Toggle Latch with
secondary lock



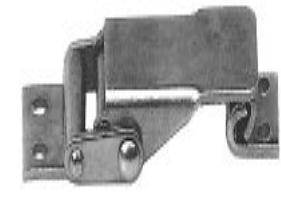
LK42
Toggle Latch with
tension spring



LK44
23 mm. Toggle
Latch with tension
spring



LK45
23 mm. Toggle
Latch



LK46
65 mm. Adjustable
Toggle Latch

B2b Latches & Case-Handles



LK52
55 mm. Toggle
Latch



MB
Trunk-Handle



MC
Case-Handle

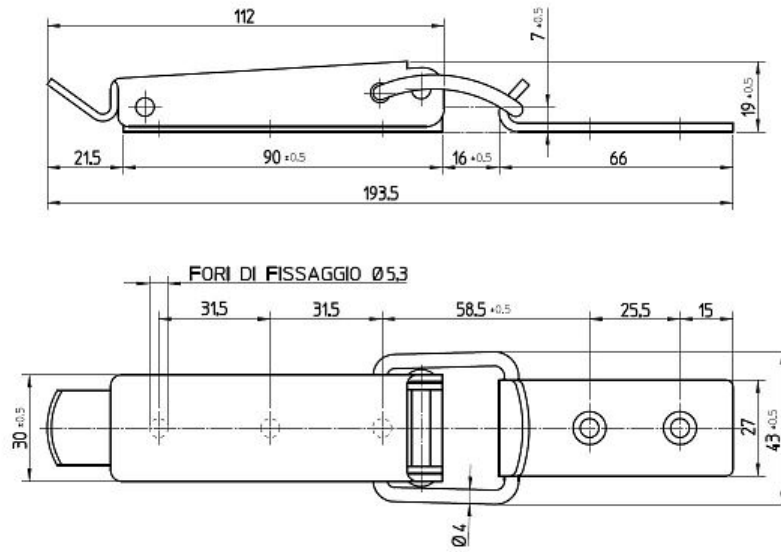


MI
Deep Drawn
Handle



MS
Stamped Handle

B2b Latches & Case-Handles - SERIES **LK00** 112 mm. Toggle Latch

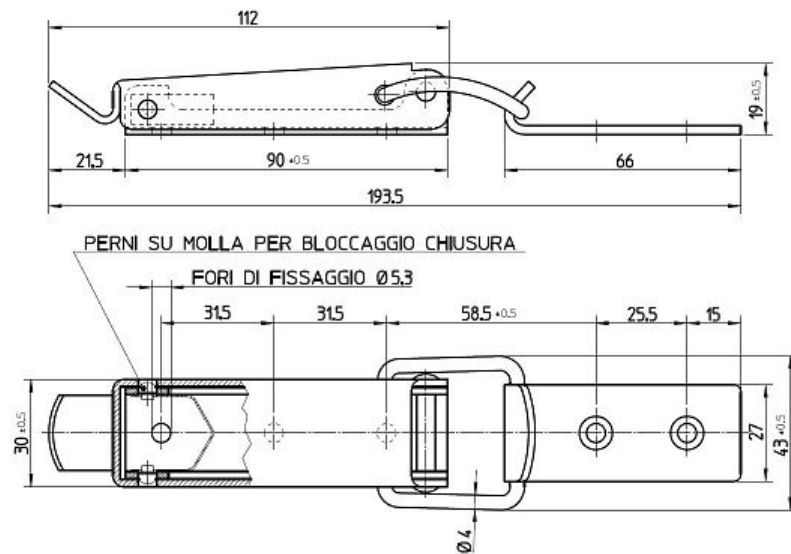
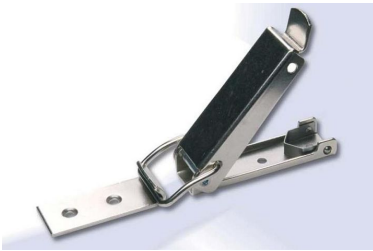


Characteristics

Product Presentation: The supply includes the toggle latch with the strike

Code	Material	On request	Max Dynamic load daN	Max Tension Load daN	Packing Pcs.
B2LK00	Zinc Plated Steel	Unplated or Nickel Plated Steel	200	400	10
B2LK00X	Stainless Steel	Unplated or Nickel Plated Steel	200	400	10

B2b Latches & Case-Handles - SERIES **LKA00** 112 mm. Click-Arrest Toggle Latch

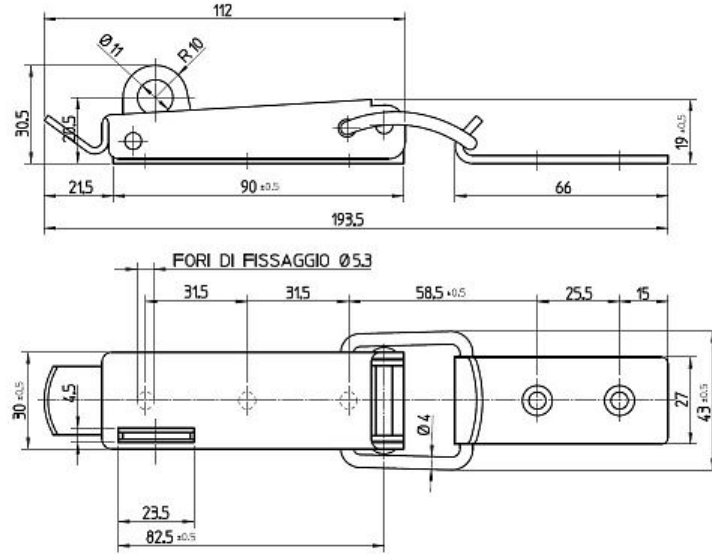
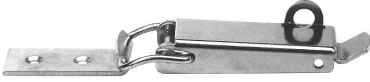


Characteristics

Product Presentation: The supply includes the toggle latch with the strike

Code	Material	On request	Max Dynamic load daN	Max Tension Load daN	Packing Pcs.
B2LKA00	Zinc Plated Steel	Nickel Plated Steel	200	400	10
B2LKA00X	Stainless Steel	Nickel Plated Steel	200	400	10

B2b Latches & Case-Handles - SERIES LKL00 112 mm. Hasp Toggle Latch

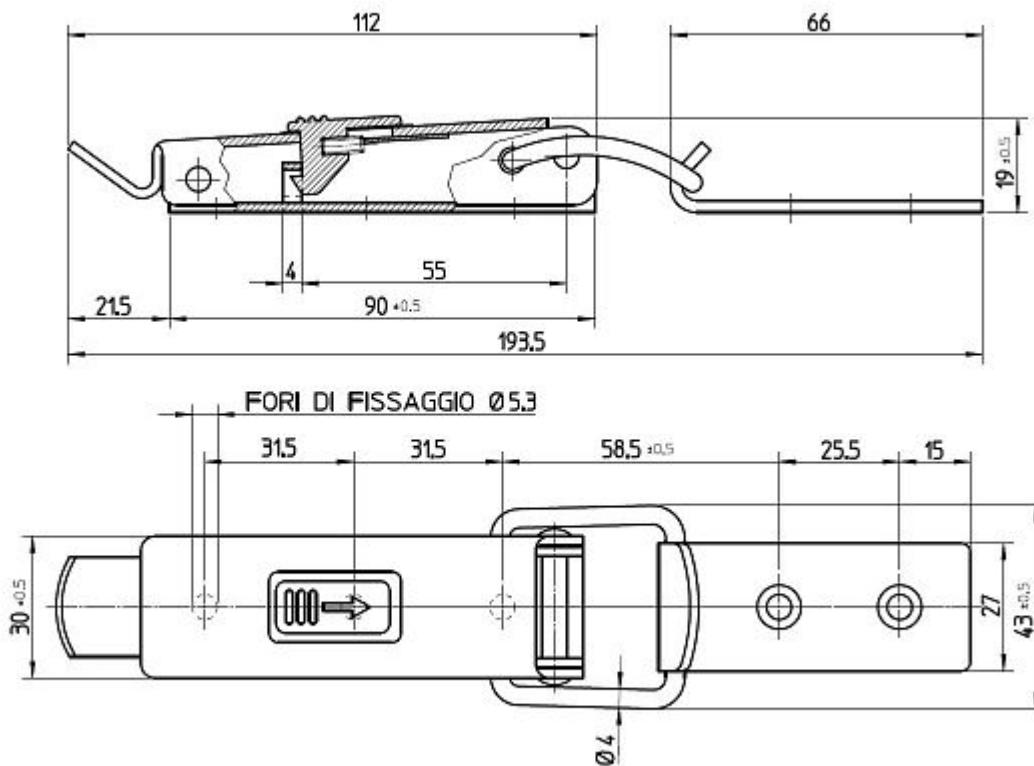


Characteristics

Product Presentation: The supply includes the toggle latch with the strike

Code	Material	On request	Max Dynamic load daN	Max Tension Load daN	Packing Pcs.
B2LKL00	Zinc Plated Steel	Unplated or Nickel Plated Steel	200	400	10
B2LKL00X	Stainless Steel	Unplated or Nickel Plated Steel	200	400	10

B2b Latches & Case-Handles - SERIES **LKS00** 112 mm. Toggle Latch with secondary lock

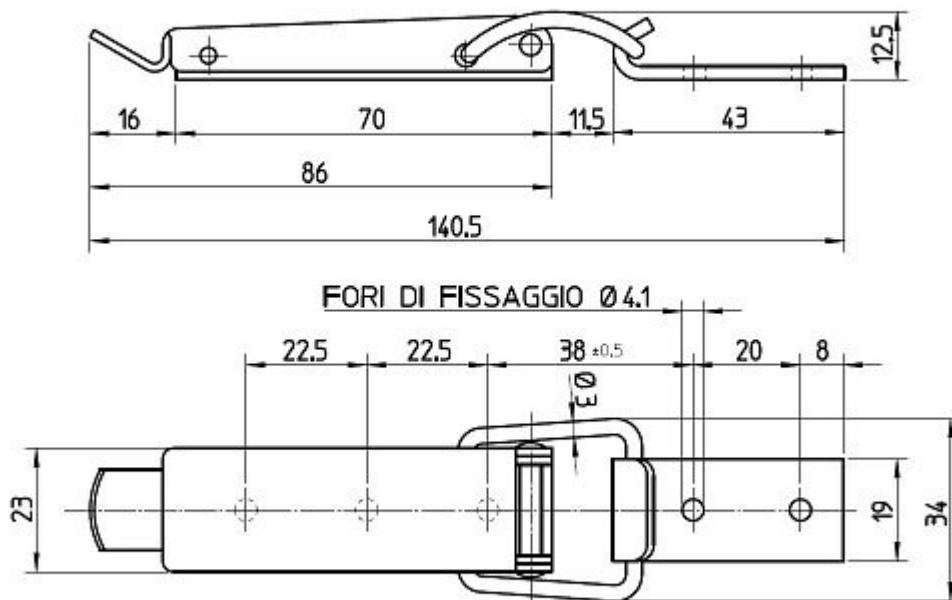


Characteristics

Product Presentation: The supply includes the toggle latch with the strike

Code	Material	Max Dynamic load daN	Max Tension Load daN	Packing Pcs.
B2LKS00	Nickel Plated Steel	200	400	10
B2LKS00X	Stainless Steel	200	400	10

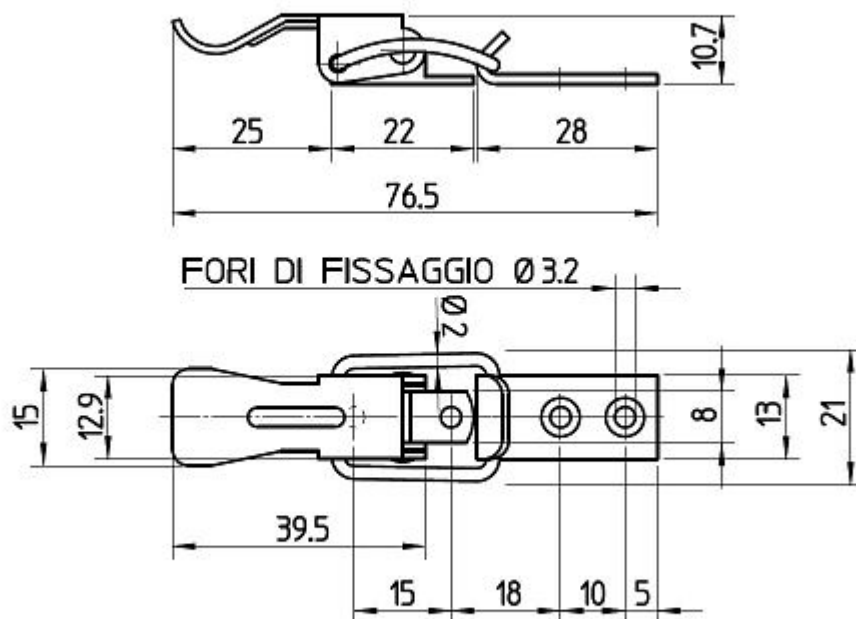
B2b Latches & Case-Handles - SERIES LK01 86 mm. Toggle Latch



Characteristics

Product Presentation: The supply includes the toggle latch with the strike

Code	Material	On request	Max Dynamic load daN	Max Tension Load daN	Packing Pcs.
B2LK01	Zinc Plated Steel	Unplated or Nickel Plated Steel	150	300	10
B2LK01X	Stainless Steel	Unplated or Nickel Plated Steel	150	300	10

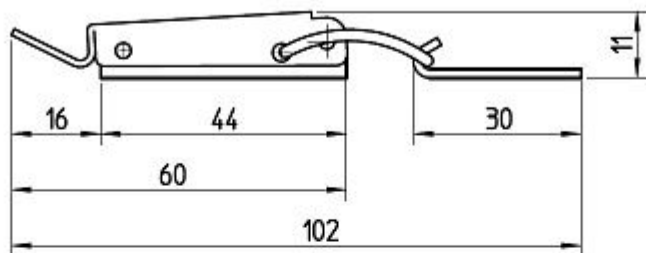


Characteristics

Product Presentation: The supply includes the toggle latch with the strike

Code	Material	On request	Max Dynamic load daN	Max Tension Load daN	Packing Pcs.
B2LK02	Zinc Plated Steel	Unplated or Nickel Plated Steel	40	100	10
B2LK02X	Stainless Steel	Unplated or Nickel Plated Steel	40	100	10

B2b Latches & Case-Handles - SERIES LK03 60 mm. Toggle Latch

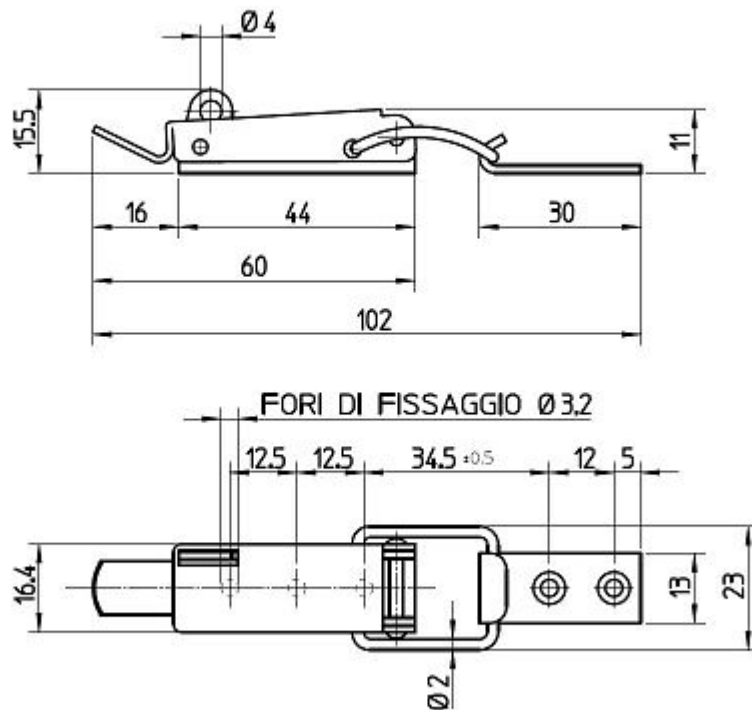
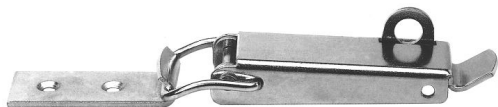


Characteristics

Product Presentation: The supply includes the toggle latch with the strike

Code	Material	On request	Max Dynamic load daN	Max Tension Load daN	Packing Pcs.
B2LK03	Zinc Plated Steel	Unplated or Nickel Plated Steel	55	130	10
B2LK03X	Stainless Steel	Unplated or Nickel Plated Steel	55	20	10

B2b Latches & Case-Handles - SERIES LKL03 60 mm. Hasp Toggle Latch

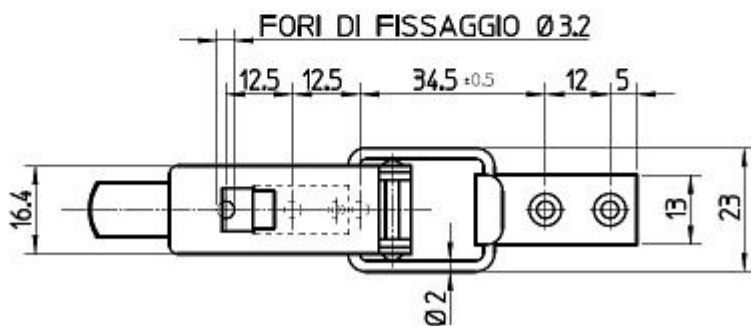
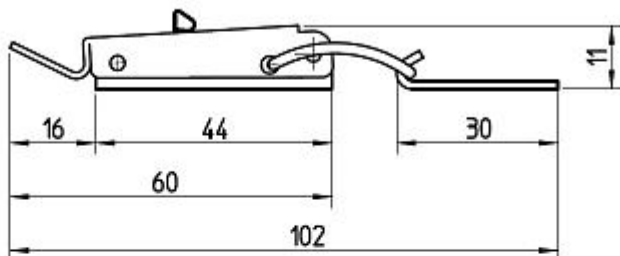
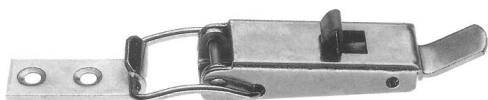


Characteristics

Product Presentation: The supply includes the toggle latch with the strike

Code	Material	On request	Max Dynamic load daN	Max Tension Load daN	Packing Pcs.
B2LKL03	Zinc Plated Steel	Unplated or Nickel Plated Steel	55	130	10
B2LKL03X	Stainless Steel	Unplated or Nickel Plated Steel	55	20	10

B2b Latches & Case-Handles - SERIES LKS03 60 mm. Toggle Latch with secondary lock



Characteristics

Product Presentation: The supply includes the toggle latch with the strike

Code	Material	Max Dynamic load daN	Max Tension Load daN	Packing Pcs.
B2LKS03	Zinc Plated Steel	55	130	10
B2LKS03X	Stainless Steel	55	20	10