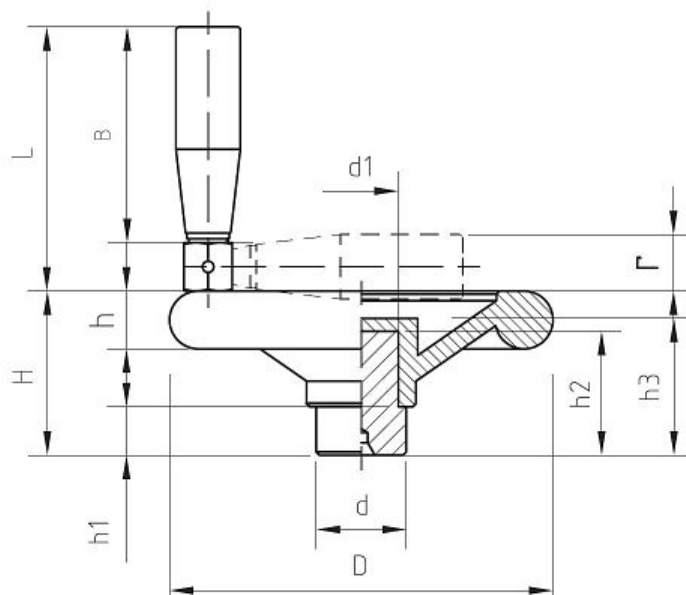


B1c Operating Components - SERIES **VPT** Handwheel Solid Snap Handle Collapsible



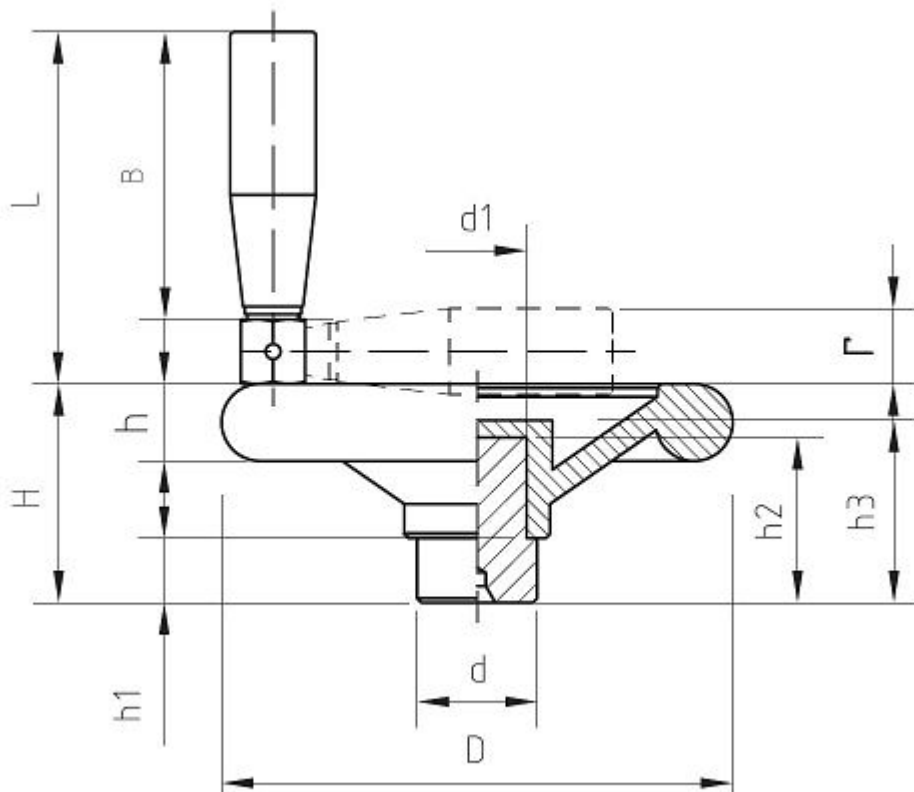
Characteristics

Main Part Material: Black Phenoplast, solvents, oils, greases and other chemical agents proof

Metallic Part Material & Finishing: Zinc Plated Steel Hub with Predrilled Hole

Other plastic components: Snap Handle, Collapsible

Code	B	D	d	d1	H	h	h1	h2	h3	L	r	Weight gr.	Packing Pcs.
B1VPT120	65	120	28	23	50	18	14	38	42	82	17	411	1
B1VPT160	65	160	40	32	63	22	20	45	53	82	17	856	1
B1VPT200	86	200	40	32	73	23	21	45	61	107	21	1177	1



Characteristics

Main Part Material: Black Phenoplast, solvents, oils, greases and other chemical agents proof

Metallic Part Material & Finishing: Zinc plated Steel Visible Hub, with preformed Punching

Other plastic components: Snap Handle, Collapsible

Code	B	D	d	d1	H	h	h1	h2	h3	L	r	Weight gr.	Packing Pcs.
B1VPTA120	65	120	28	23	50	18	14	38	42	82	17	423	1
B1VPTA160	65	160	40	32	63	22	20	47	53	82	17	940	1
B1VPTA200	86	200	40	32	73	23	21	47	61	102	21	1200	1