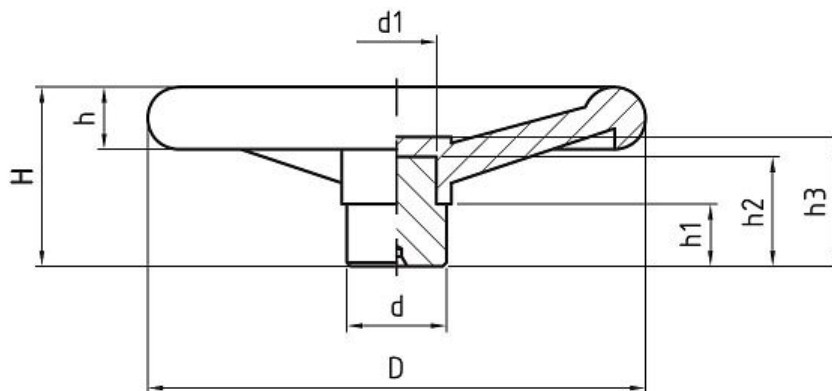


B1c Operating Components - SERIES VL Handwheel, 4-Spokes

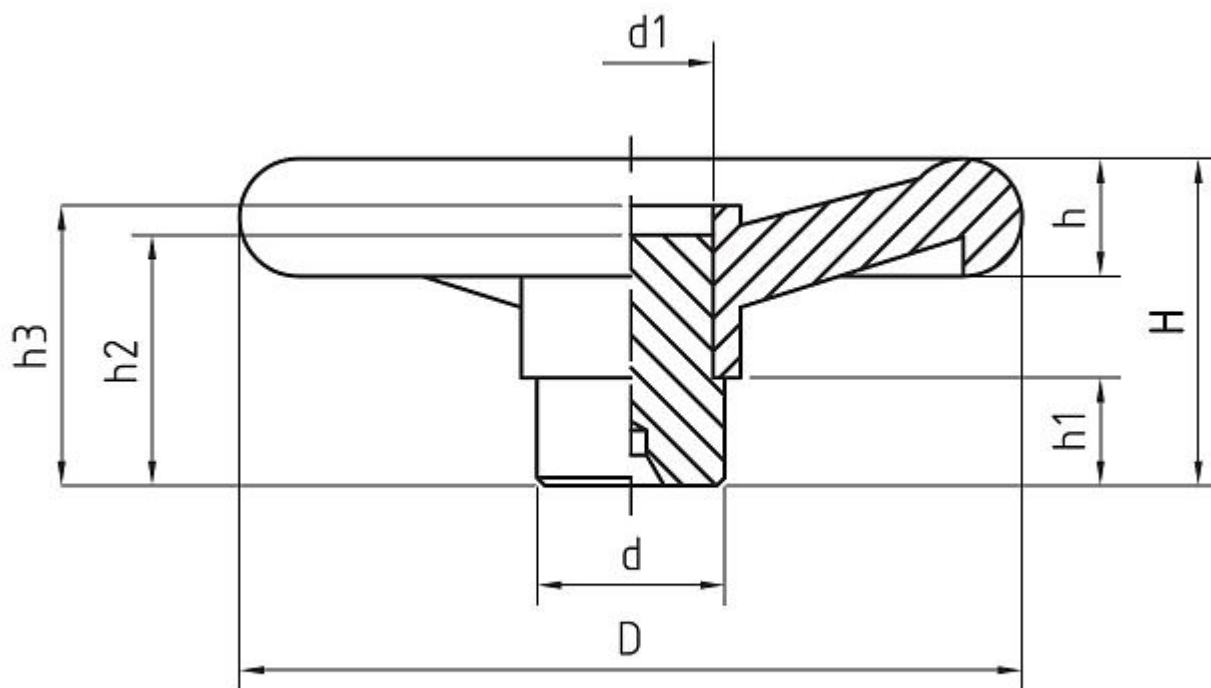


Characteristics

Main Part Material: Black Phenoplast, solvents, oils, greases and other chemical agents proof

Metallic Part Material & Finishing: Zinc Plated Steel Hub with Predrilled Hole

Code	D	d	d1	H	h	h1	h2	h3	Weight gr.	Packing Pcs.
B1VL100	100	24	21	47	15	17	36	39	189	1
B1VL120	120	25	21	49	16	15	35	38	219	1
B1VL140	140	28	23	54	20	17	38	41	331	1
B1VL160	160	32	27	56	22	21	40	43	450	1
B1VL200	200	40	32	72	25	25	47	51	773	1
B1VL250	250	50	42	82	29	29	56	60	1505	1
B1VL300	300	52	42	95	35	30	63	68	2120	1



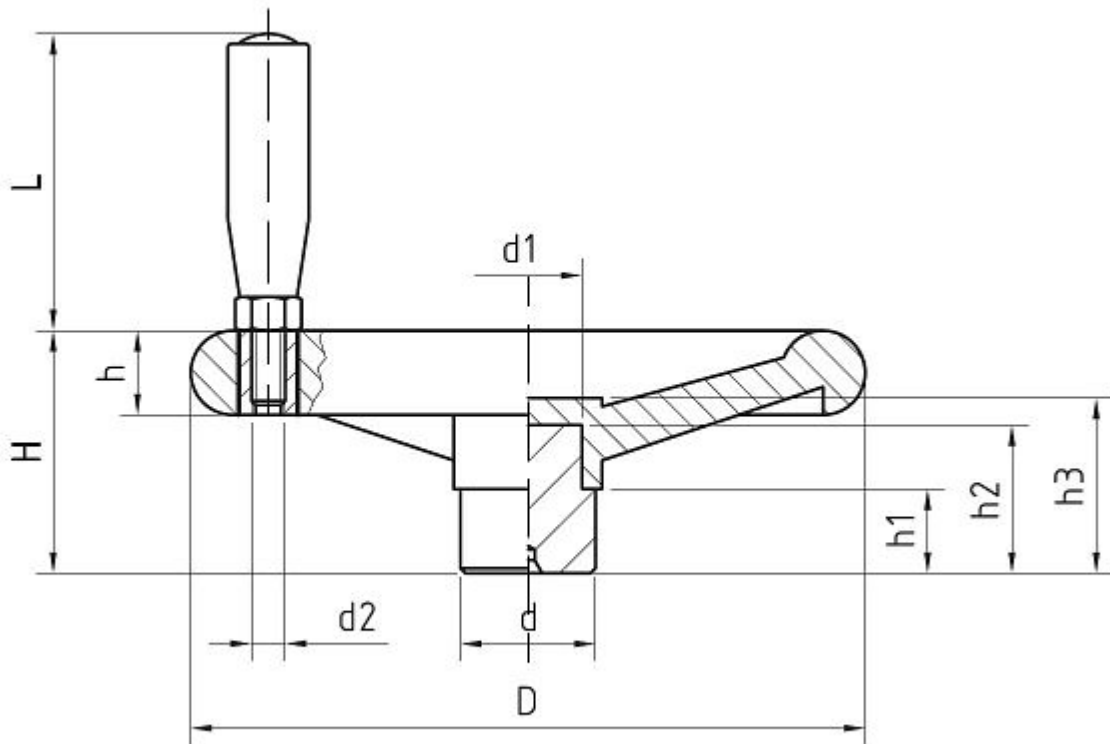
Characteristics

Main Part Material: Black Phenoplast, solvents, oils, greases and other chemical agents proof

Metallic Part Material & Finishing: Zinc plated Steel Visible Hub, with preformed Punching

Code	D	d	d1	H	h	h1	h2	h3	Weight gr.	Packing Pcs.
B1VLA100	100	24	21	47	15	17	36	39	207	1
B1VLA120	120	25	21	49	16	15	35	38	231	1
B1VLA140	140	28	23	54	20	17	38	41	345	1
B1VLA160	160	32	27	56	22	21	40	43	473	1
B1VLA200	200	40	32	72	25	25	47	51	815	1
B1VLA250	250	50	42	82	29	29	56	60	1559	1
B1VLA300	300	52	42	95	35	30	63	68	2173	1

B1c Operating Components - SERIES **VLG** Handwheel, 4-Spokes Revolving Grip



Characteristics

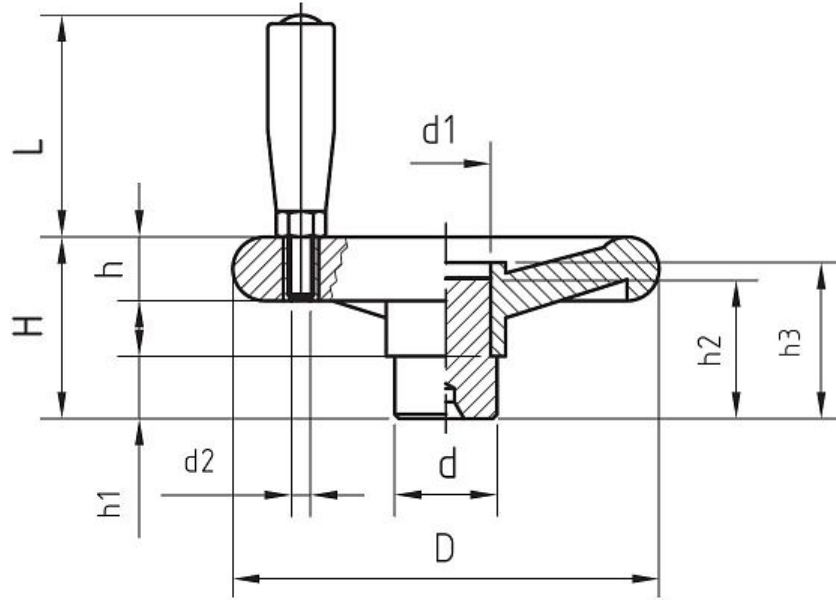
Main Part Material: Black Phenoplast, solvents, oils, greases and other chemical agents proof

Metallic Part Material & Finishing: Zinc Plated Steel Hub with Predrilled Hole

Other plastic components: Revolving Handle, with Brass Bushings

Code	D	d	d1	d2	H	h	h1	h2	h3	L	Weight gr.	Packing Pcs.
B1VLG100	100	24	21	06MA	47	15	17	36	39	51	222	1
B1VLG120	120	25	21	08MA	49	16	15	35	38	70	274	1
B1VLG140	140	28	23	08MA	54	20	17	38	41	70	391	1
B1VLG160	160	32	27	10MA	56	22	21	40	43	85	558	1
B1VLG200	200	40	32	10MA	72	25	25	47	51	85	903	1
B1VLG250	250	50	42	12MA	82	29	29	56	60	98	1677	1
B1VLG300	300	52	42	12MA	95	35	30	63	68	98	2291	1

B1c Operating Components - SERIES VLGA Handwheel, 4-Spokes Revolving Grip and Visible Hub



Characteristics

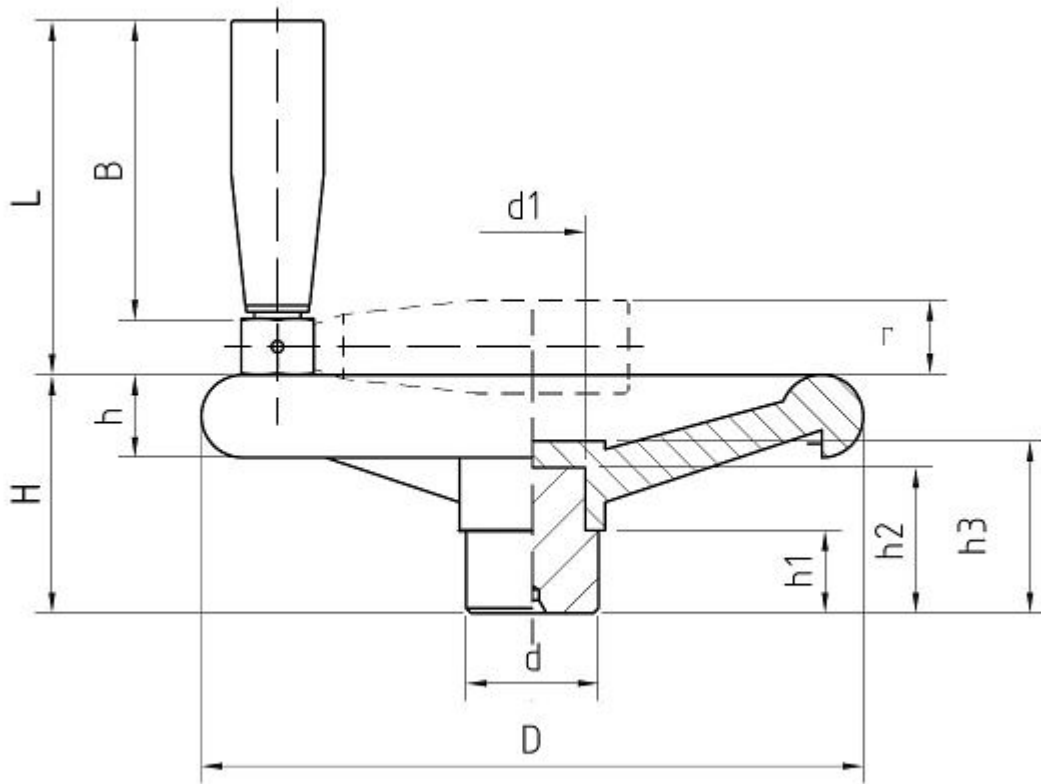
Main Part Material: Black Phenoplast, solvents, oils, greases and other chemical agents proof

Metallic Part Material & Finishing: Zinc plated Steel Visible Hub, with preformed Punching

Other plastic components: Revolving Handle, with Brass Bushings

Code	D	d	d1	d2	H	h	h1	h2	h3	L	Weight gr.	Packing Pcs.
B1VLGA100	100	24	21	06MA	47	15	15	36	39	51	240	1
B1VLGA120	120	25	21	08MA	49	16	16	35	38	70	286	1
B1VLGA140	140	28	23	08MA	54	20	20	38	41	70	405	1
B1VLGA160	160	32	27	10MA	56	22	22	40	43	85	581	1
B1VLGA200	200	40	32	10MA	72	25	25	47	51	85	945	1
B1VLGA250	250	50	42	12MA	82	29	29	56	60	98	1731	1
B1VLGA300	300	52	42	12MA	95	35	35	63	68	98	2344	1

B1c Operating Components - SERIES VLT Handwheel, 4-Spokes Snap Handle Collapsible



Characteristics

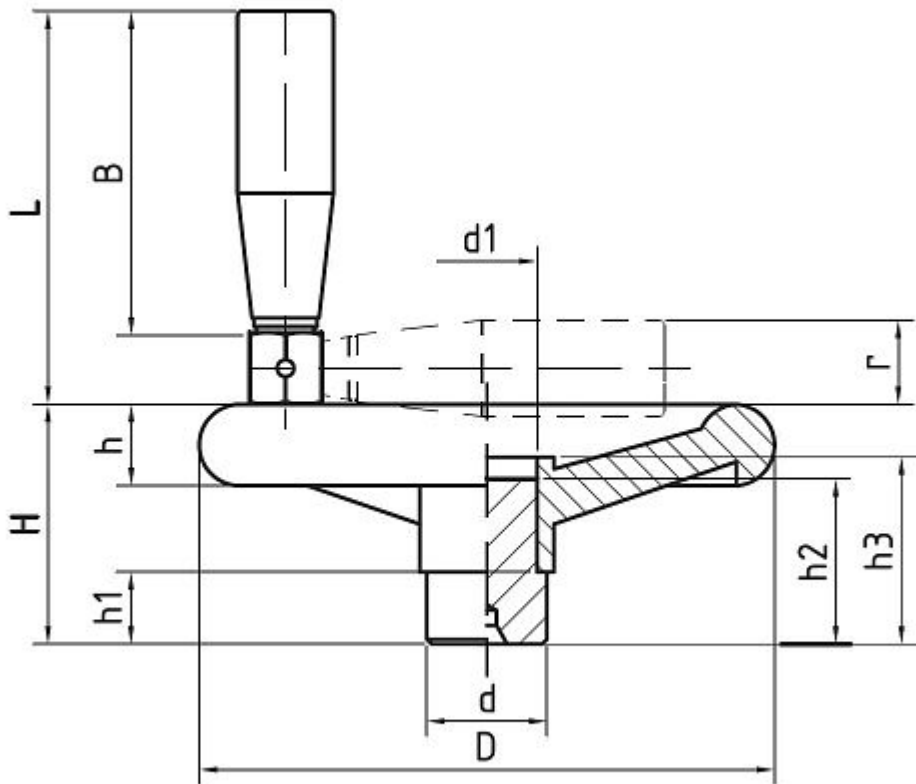
Main Part Material: Black Phenoplast, solvents, oils, greases and other chemical agents proof

Metallic Part Material & Finishing: Zinc Plated Steel Hub with Predrilled Hole

Other plastic components: Snap Handle, Collapsible

Code	B	D	d	d1	H	h	h1	h2	h3	L	r	Weight gr.	Packing Pcs.
B1VLT100	46	100	24	21	47	15	17	36	39	60	17	225	1
B1VLT120	65	120	25	21	49	16	15	35	38	82	17	286	1
B1VLT140	65	140	28	23	54	20	17	38	41	82	17	403	1
B1VLT160	65	160	32	27	56	22	21	40	43	82	17	521	1
B1VLT200	86	200	40	32	72	25	25	47	51	107	21	957	1
B1VLT250	86	250	50	42	82	29	29	56	60	107	21	1669	1
B1VLT300	86	300	52	42	95	35	30	63	68	107	21	2283	1

B1c Operating Components - SERIES VLTA Handwheel, 4-Spokes Snap Handle Collapsible and Visible Hub



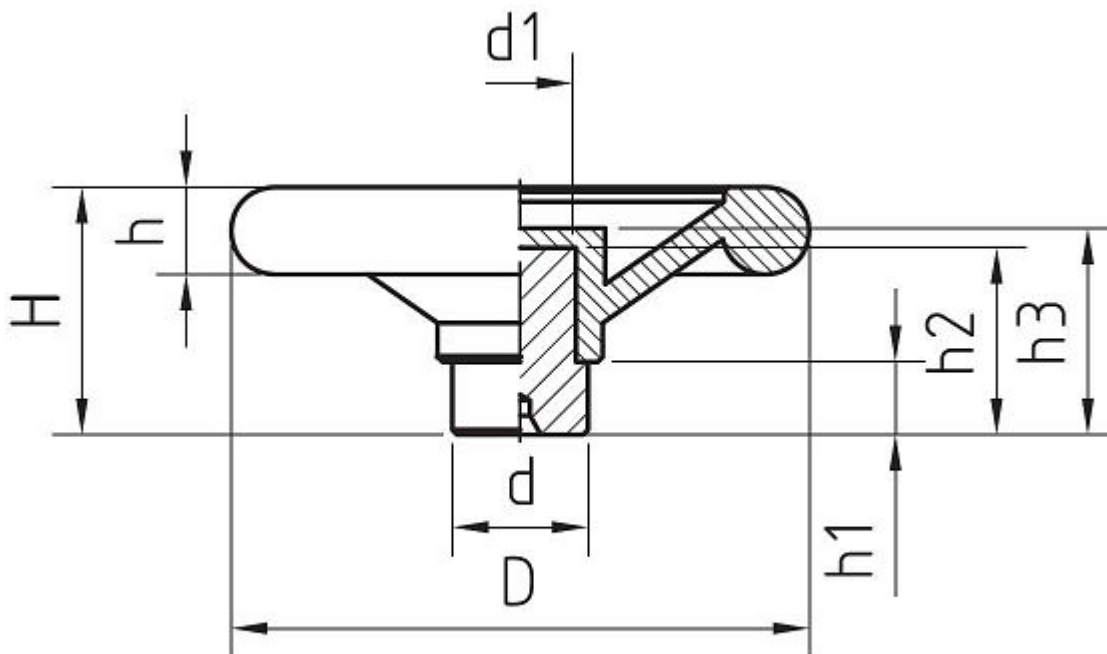
Characteristics

Main Part Material: Black Phenoplast, solvents, oils, greases and other chemical agents proof

Metallic Part Material & Finishing: Zinc plated Steel Visible Hub, with preformed Punching

Other plastic components: Snap Handle, Collapsible

Code	B	D	d	d1	H	h	h1	h2	h3	L	r	Weight gr.	Packing Pcs.
B1VLTA100	46	100	24	21	47	15	17	36	39	60	17	242	1
B1VLTA120	65	120	25	21	49	16	15	35	38	82	17	298	1
B1VLTA140	65	140	28	23	54	20	17	38	41	82	17	417	1
B1VLTA160	65	160	32	27	56	22	21	40	43	82	17	543	1
B1VLTA200	86	200	40	32	72	25	25	47	51	107	21	1000	1
B1VLTA250	86	250	50	42	82	29	29	56	60	107	21	1680	1
B1VLTA300	86	300	52	42	95	35	30	63	68	107	21	2336	1

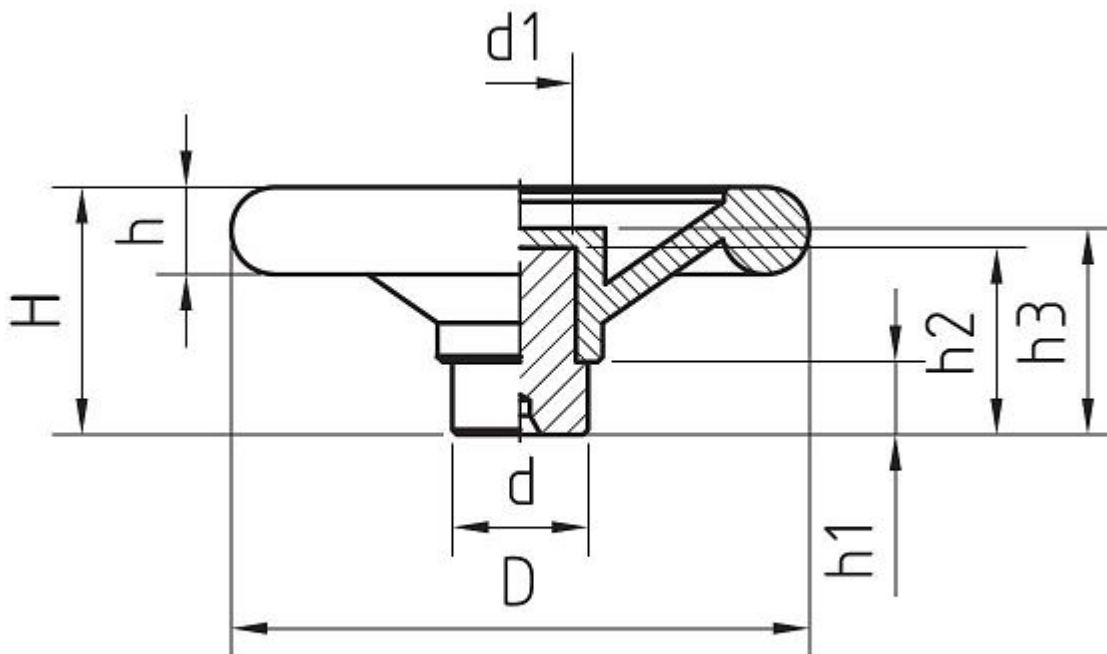


Characteristics

Main Part Material: Black Phenoplast, solvents, oils, greases and other chemical agents proof

Metallic Part Material & Finishing: Zinc Plated Steel Hub with Predrilled Hole

Code	D	d	d1	H	h	h1	h2	h3	Weight gr.	Packing Pcs.
B1VP120	120	28	23	50	18	14	38	42	342	1
B1VP160	160	40	32	63	22	20	47	53	782	1
B1VP200	200	40	32	73	23	21	45	61	1006	1

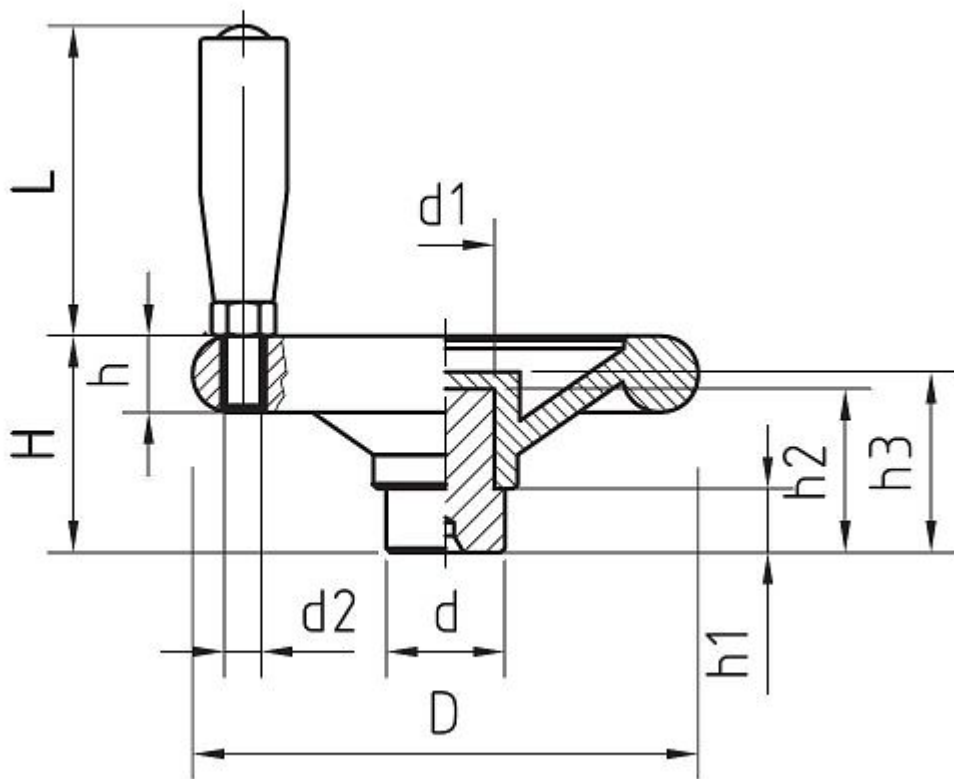


Characteristics

Main Part Material: Black Phenoplast, solvents, oils, greases and other chemical agents proof

Metallic Part Material & Finishing: Zinc plated Steel Visible Hub, with preformed Punching

Code	D	d	d1	H	h	h1	h2	h3	Weight gr.	Packing Pcs.
B1VPA120	120	28	23	50	18	14	38	42	366	1
B1VPA160	160	40	32	63	22	20	47	53	824	1
B1VPA200	200	40	32	73	23	21	47	61	1048	1



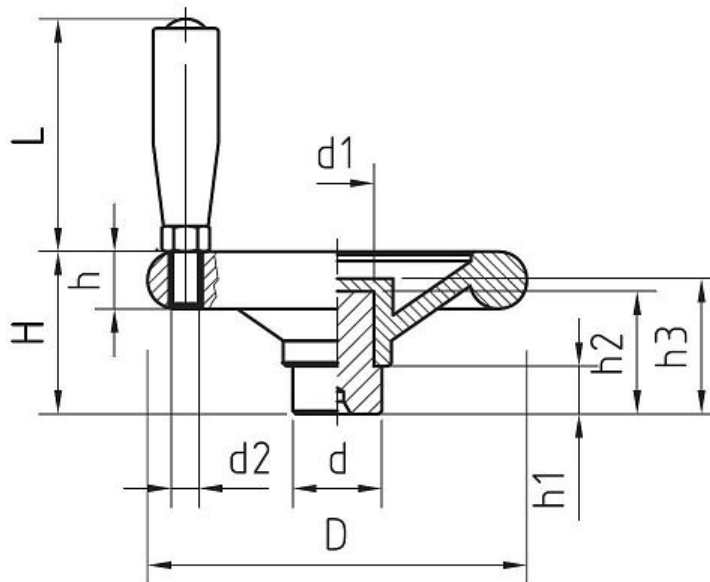
Characteristics

Main Part Material: Black Phenoplast, solvents, oils, greases and other chemical agents proof

Metallic Part Material & Finishing: Zinc Plated Steel Hub with Predrilled Hole

Other plastic components: Revolving Handle, with Brass Bushings

Code	D	d	d1	d2	H	h	h1	h2	h3	Weight gr.	Packing Pcs.
B1VPG120	120	28	23	08MA	50	18	14	38	42	396	1
B1VPG160	160	40	32	10MA	63	22	20	47	53	885	1
B1VPG200	200	40	32	10MA	73	23	21	45	61	1109	1



Characteristics

Main Part Material: Black Phenoplast, solvents, oils, greases and other chemical agents proof

Metallic Part Material & Finishing: Zinc plated Steel Visible Hub, with preformed Punching

Other plastic components: Revolving Handle, with Brass Bushings

Code	D	d	d1	d2	H	h	h1	h2	h3	Weight gr.	Packing Pcs.
B1VPGA120	120	28	23	08MA	50	18	14	38	42	420	1
B1VPGA160	160	40	32	10MA	63	22	20	47	53	927	1
B1VPGA200	200	40	32	10MA	73	23	21	47	61	1151	1