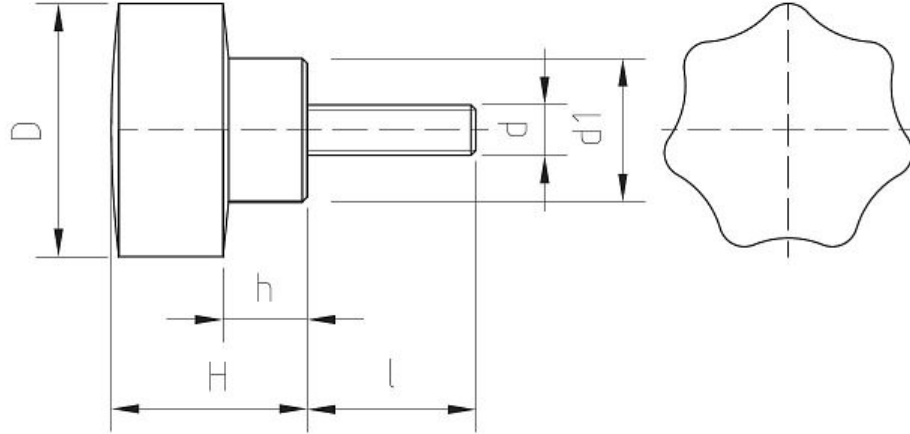


**B1b Clamping Components** - SERIES **V7MX** Star Knob, 7 Points, STAINLESS STEEL Stud



**Characteristics**

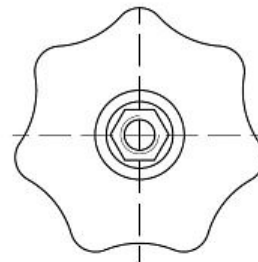
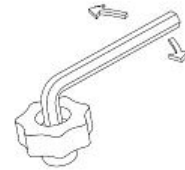
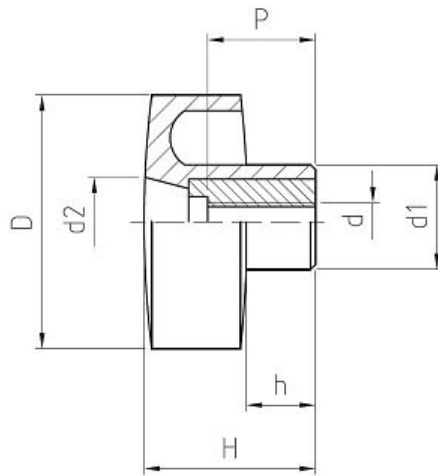
**Main Part Material:** Black Phenoplast, solvents, oils, greases and other chemical agents proof

**Metallic Part Material & Finishing:** Stainless Steel Bolt, Threaded, Flat End

Code	D	d	d1	H	h	l	Weight gr.	Packing Pcs.
B1V7MX300430	30	M04	17	23	10	30	18	20
B1V7MX300450	30	M04	17	23	10	50	19	20
B1V7MX300520	30	M05	17	23	10	20	18	20
B1V7MX300530	30	M05	17	23	10	30	18	20
B1V7MX300550	30	M05	17	23	10	50	19	20
B1V7MX300615	30	M06	17	23	10	15	20	20
B1V7MX300620	30	M06	17	23	10	20	22	20
B1V7MX300630	30	M06	17	23	10	30	23	20
B1V7MX300635	30	M06	17	23	10	35	26	20
B1V7MX300640	30	M06	17	23	10	40	26	20
B1V7MX300650	30	M06	17	23	10	50	27	20
B1V7MX300820	30	M08	17	23	10	20	25	20
B1V7MX300830	30	M08	17	23	10	30	29	20
B1V7MX300840	30	M08	17	23	10	40	31	20
B1V7MX300850	30	M08	17	23	10	50	33	20
B1V7MX400630	40	M06	18	26	11	30	35	20
B1V7MX400640	40	M06	18	26	11	40	40	20
B1V7MX400650	40	M06	18	26	11	50	44	20
B1V7MX400820	40	M08	18	26	11	20	40	20
B1V7MX400830	40	M08	18	26	11	30	45	20
B1V7MX400840	40	M08	18	26	11	40	47	20
B1V7MX400850	40	M08	18	26	11	50	55	20
B1V7MX401030	40	M10	18	26	11	30	55	20
B1V7MX401040	40	M10	18	26	11	40	60	20
B1V7MX401050	40	M10	18	26	11	50	65	20
B1V7MX500830	50	M08	20	32	15	30	74	20
B1V7MX500840	50	M08	20	32	15	40	75	20

Code	D	d	d1	H	h	l	Weight gr.	Packing Pcs.
B1V7MX500850	50	M08	20	32	15	50	80	20
B1V7MX501030	50	M10	20	32	15	30	80	20
B1V7MX501040	50	M10	20	32	15	40	86	20
B1V7MX501050	50	M10	20	32	15	50	90	20
B1V7MX501230	50	M12	20	32	15	30	99	20
B1V7MX501240	50	M12	20	32	15	40	101	20
B1V7MX501250	50	M12	20	32	15	50	104	20
B1V7MX601030	60	M10	21	34	16	30	104	20
B1V7MX601040	60	M10	21	34	16	40	106	20
B1V7MX601050	60	M10	21	34	16	50	117	20
B1V7MX601230	60	M12	21	34	16	30	132	20
B1V7MX601240	60	M12	21	34	16	40	136	20
B1V7MX601250	60	M12	21	34	16	50	140	20
B1V7MX701230	70	M12	30	42	18	30	172	20
B1V7MX701250	70	M12	30	42	18	50	180	20

## B1b Clamping Components - SERIES V7NBP Nylon Star Knob, Threaded Thru-Insert



### Characteristics

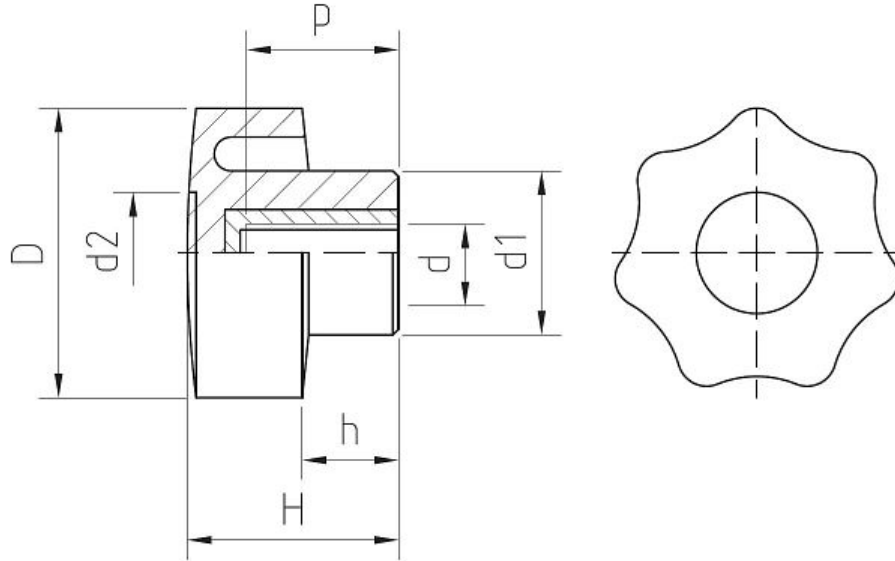
**Main Part Material:** Black Technopolymer, fiberglass-reinforced, solvents, oils, greases and other chemical agents proof

**Metallic Part Material & Finishing:** Brass Insert, Threaded Thru-Hole

Code	D	d	d1	d2	H	h	P	Weight gr.	Packing Pcs.
B1V7NBP2004	20	M04	12	9	11	5	10	7	20
B1V7NBP2005	20	M05	12	9	11	5	10	8	20
B1V7NBP2006	20	M06	12	9	11	5	10	9	20
B1V7NBP3004	30	M04	14	13	22	9	15	12	20
B1V7NBP3005	30	M05	14	13	22	9	15	13,5	20
B1V7NBP3006	30	M06	14	13	22	9	15	14,5	20
B1V7NBP3008	30	M08	14	13	22	9	15	15	20
B1V7NBP4006	40	M06	18	11	26	11	20	28	20
B1V7NBP4008	40	M08	18	11	26	11	20	22	20
B1V7NBP4010	40	M10	18	11	26	11	20	25	20
B1V7NBP5008	50	M08	20	20	32	15	20	33	20
B1V7NBP5010	50	M10	20	20	32	15	20	35,5	20
B1V7NBP5012	50	M12	20	20	32	15	20	37	20
B1V7NBP6008	60	M08	21	25	34	16	20	50	20
B1V7NBP6010	60	M10	21	25	34	16	20	53	20

Code	D	d	d1	d2	H	h	P	Weight gr.	Packing Pcs.
B1V7NBP6012	60	M12	21	25	34	16	20	57	20
B1V7NBP6014	60	M14	21	25	34	16	20	64	20

**B1b Clamping Components** - SERIES **V7NC** Nylon Star Knob, Threaded Blind Insert

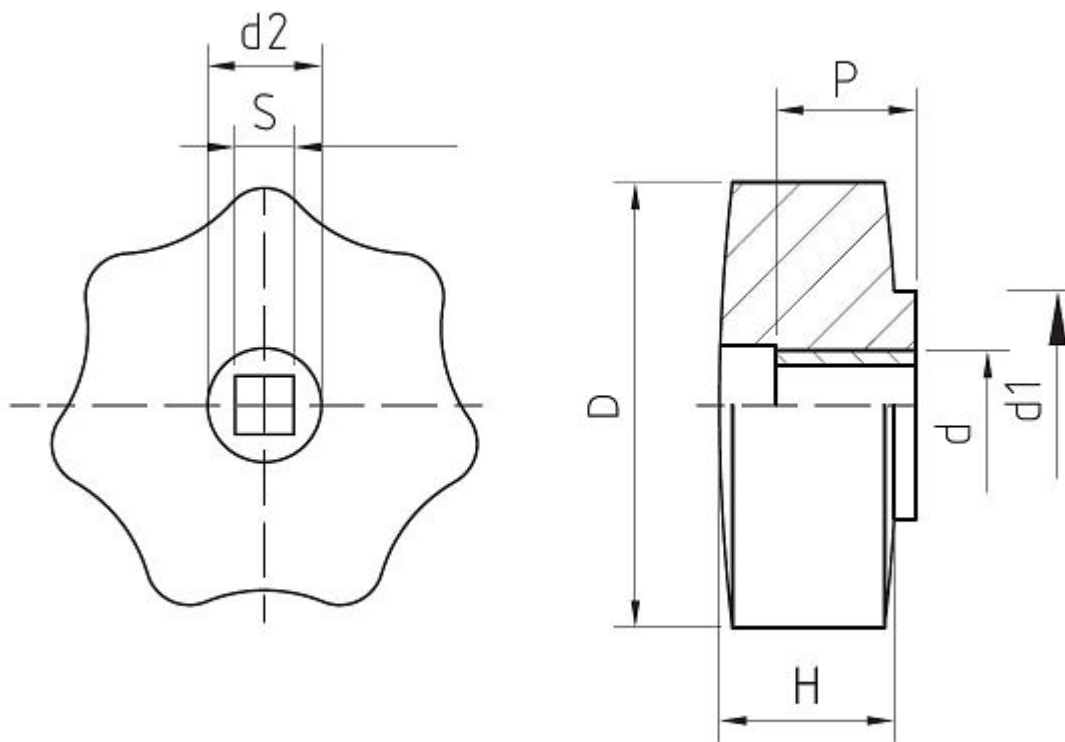


**Characteristics**

**Main Part Material:** Black Technopolymer, fiberglass-reinforced, solvents, oils, greases and other chemical agents proof

**Metallic Part Material & Finishing:** Brass Insert, Threaded Blind Hole

Code	D	d	d1	d2	H	h	P	Weight gr.	Packing Pcs.
B1V7NC2003	20	M03	12	9	11	5	8	7	20
B1V7NC2004	20	M04	12	9	11	5	8	8	20
B1V7NC2005	20	M05	12	9	11	5	8	8	20
B1V7NC2006	20	M06	12	9	11	5	8	9	20
B1V7NC3004	30	M04	14	13	22	9	8	12	20
B1V7NC3005	30	M05	14	13	22	9	10	13,5	20
B1V7NC3006	30	M06	14	13	22	9	12	14,5	20
B1V7NC3008	30	M08	14	13	22	9	16	15	20
B1V7NC4006	40	M06	18	11	26	11	10	23	20
B1V7NC4008	40	M08	18	11	26	11	12	26	20
B1V7NC4010	40	M10	18	11	26	11	16	26	20
B1V7NC5008	50	M08	20	20	32	15	16	33	20
B1V7NC5010	50	M10	20	20	32	15	22	35,5	20
B1V7NC5012	50	M12	20	20	32	15	22	37	20
B1V7NC6008	60	M08	21	25	34	16	16	50	20
B1V7NC6010	60	M10	21	25	34	16	22	53	20
B1V7NC6012	60	M12	21	25	34	16	22	57	20
B1V7NC6014	60	M14	21	25	34	16	22	64	20

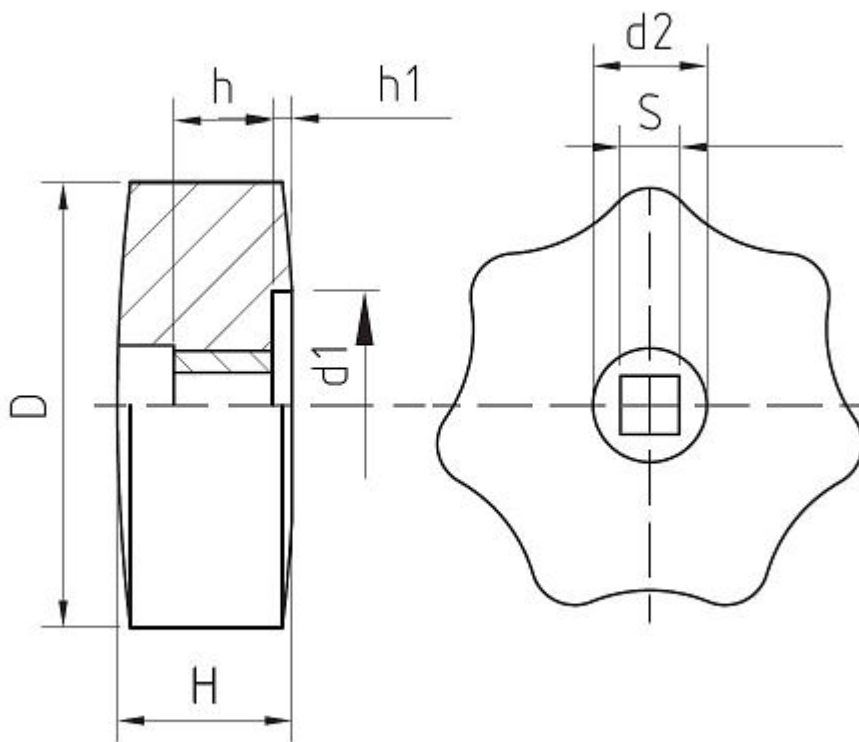


**Characteristics**

**Main Part Material:** Black Phenoplast, solvents, oils, greases and other chemical agents proof

**Metallic Part Material & Finishing:** Brass Insert, Threaded Thru-Hole

Code	D	d	d1	d2	H	P	Weight gr.	Packing Pcs.
B1V7RBP4008	40	M 8	21	15	17	15	30	20
B1V7RBP4010	40	M 10	21	15	17	15	30	20
B1V7RBP5010	50	M 10	25	16	25	20	55	20
B1V7RBP6012	60	M 12	28	16	23	20	88	20
B1V7RBP7014	70	M 14	30	18	26	20	125	20



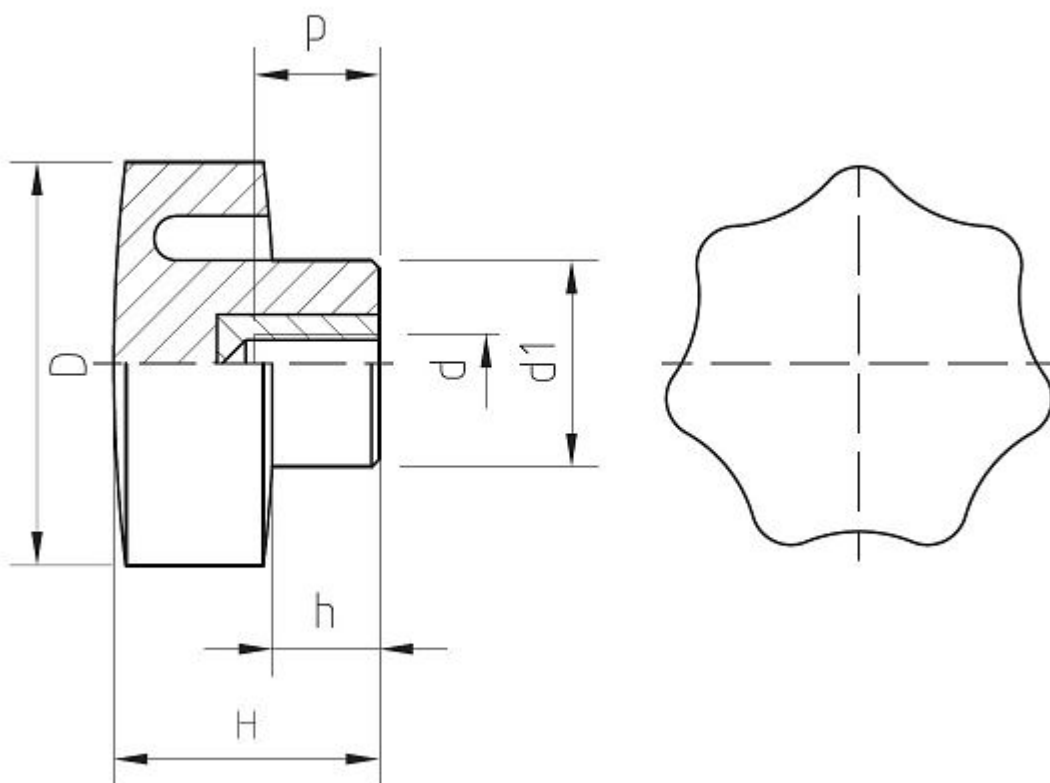
**Characteristics**

**Main Part Material:** Black Phenoplast, solvents, oils, greases and other chemical agents proof

**Metallic Part Material & Finishing:** Brass Insert, Square Thru-Hole

Code	D	d1	d2	H	h	h1	S	Weight gr.	Packing Pcs.
B1V7RQP4006	40	21	15	14	9	3	6	30	20
B1V7RQP4007	40	21	15	14	9	3	7	30	20
B1V7RQP5006	50	25	16	13	9	3	6	55	20
B1V7RQP5007	50	25	16	13	9	3	7	55	20
B1V7RQP6006	60	28	16	21	9	4	6	88	20
B1V7RQP6007	60	28	16	21	9	4	7	88	20
B1V7RQP6008	60	28	16	21	9	4	8	88	20
B1V7RQP7007	70	30	18	24	9	4	7	125	20
B1V7RQP7008	70	30	18	24	9	4	8	125	20

**B1b Clamping Components** - SERIES **V7SB** Lightweight Star Knob, 7 Points, Threaded Blind Insert



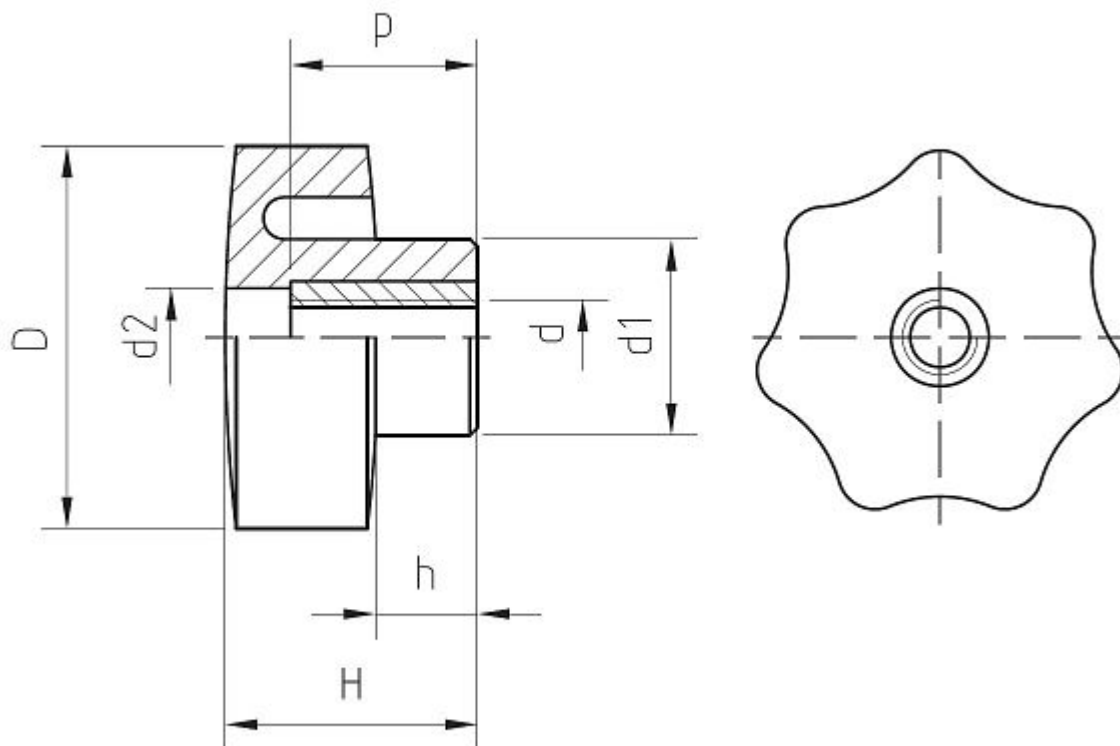
**Characteristics**

**Main Part Material:** Black Phenoplast, solvents, oils, greases and other chemical agents proof

**Metallic Part Material & Finishing:** Brass Insert, Threaded Blind Hole

Code	D	d	d1	H	h	P	Weight gr.	Packing Pcs.
B1V7SB3006	30	6 MA	17	23	10	18	13	20
B1V7SB3008	30	8 MA	17	23	10	16	14	20
B1V7SB4006	40	6 MA	21	27	11	12	27	20
B1V7SB4008	40	8 MA	21	27	11	16	30	20
B1V7SB4010	40	10 MA	21	27	11	16	30	20

**B1b Clamping Components** - SERIES **V7SBP** Lightweight Star Knob, 7 Points, Threaded Thru-Insert



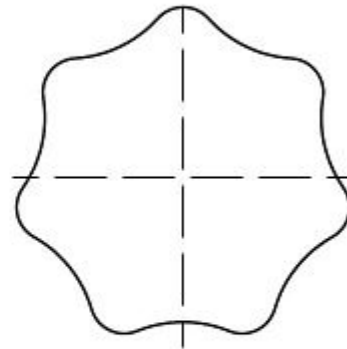
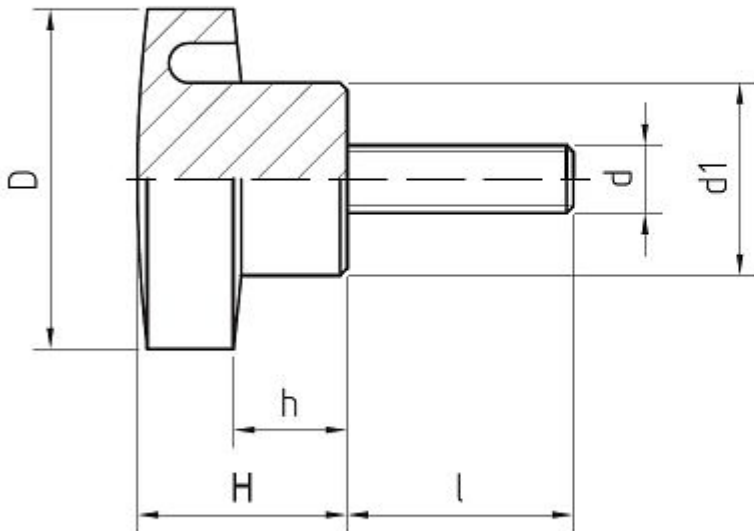
**Characteristics**

**Main Part Material:** Black Phenoplast, solvents, oils, greases and other chemical agents proof

**Metallic Part Material & Finishing:** Brass Insert, Square Thru-Hole

Code	D	d	d1	d2	H	h	P	Weight gr.	Packing Pcs.
<b>B1V7SBP3006</b>	30	6 MA	17	10	23	10	15	12	20
<b>B1V7SBP3008</b>	30	8 MA	17	10	23	10	15	13	20
<b>B1V7SBP4006</b>	40	6 MA	21	10,5	27	11	20	32	20
<b>B1V7SBP4008</b>	40	8 MA	21	10,5	27	11	20	28	20
<b>B1V7SBP4010</b>	40	10 MA	21	10,5	27	11	20	29	20

**B1b Clamping Components** - SERIES **V7SM** Lightweight Star Knob, 7 Points, Threaded Stud



**Characteristics**

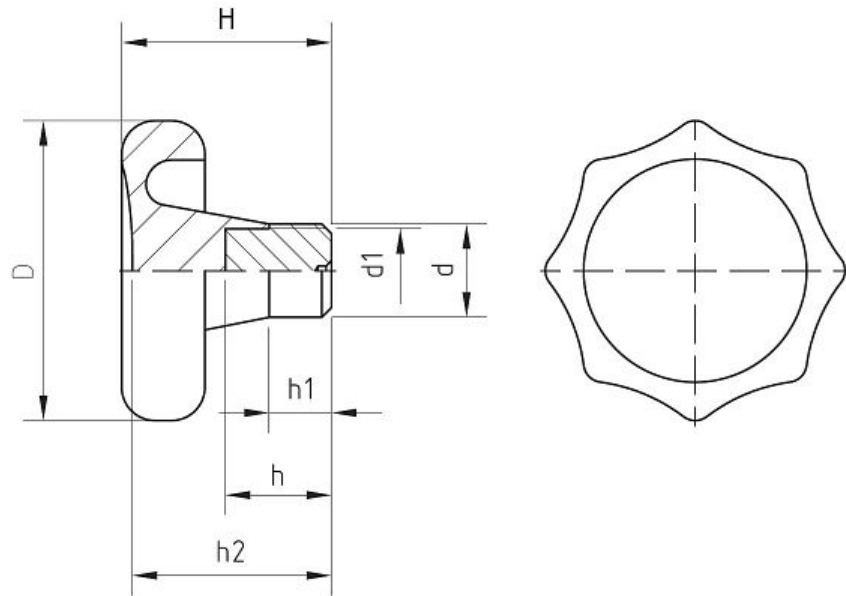
**Main Part Material:** Black Phenoplast, solvents, oils, greases and other chemical agents proof

**Metallic Part Material & Finishing:** Zinc Plated Threaded Steel Bolt

Code	D	d	d1	H	h	l	Weight gr.	Packing Pcs.
B1V7SM300612	30	06MA	17	23	10	12	13	20
B1V7SM300615	30	06MA	17	23	10	15	15	20
B1V7SM300620	30	06MA	17	23	10	20	18	20
B1V7SM300630	30	06MA	17	23	10	30	18	20
B1V7SM300640	30	06MA	17	23	10	40	20	20
B1V7SM300650	30	06MA	17	23	10	50	22	20
B1V7SM300820	30	08MA	17	23	10	20	20	20
B1V7SM300830	30	08MA	17	23	10	30	23	20
B1V7SM300840	30	08MA	17	23	10	40	26	20
B1V7SM300850	30	08MA	17	23	10	50	29	20
B1V7SM400620	40	06MA	21	27	11	20	30	20
B1V7SM400630	40	06MA	21	27	11	30	32	20

Code	D	d	d1	H	h	l	Weight gr.	Packing Pcs.
B1V7SM400640	40	06MA	21	27	11	40	34	20
B1V7SM400650	40	06MA	21	27	11	50	36	20
B1V7SM400815	40	08MA	21	27	11	15	33	20
B1V7SM400820	40	08MA	21	27	11	20	34	20
B1V7SM400830	40	08MA	21	27	11	30	38	20
B1V7SM400840	40	08MA	21	27	11	40	41	20
B1V7SM400850	40	08MA	21	27	11	50	45	20
B1V7SM401020	40	10MA	21	27	11	20	42	20
B1V7SM401030	40	10MA	21	27	11	30	48	20
B1V7SM401040	40	10MA	21	27	11	40	52	20
B1V7SM401050	40	10MA	21	27	11	50	57	20

**B1b Clamping Components** - SERIES V8A Handwheel, 8 Points, Steel Hub



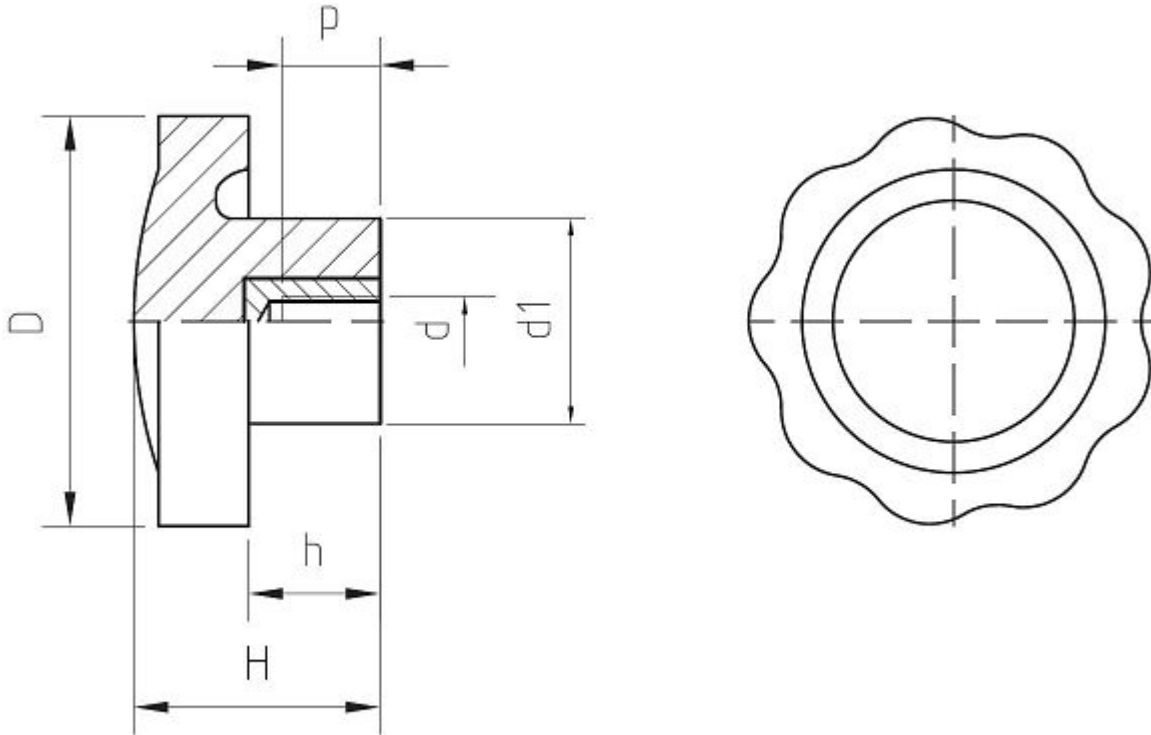
**Characteristics**

**Main Part Material:** Black Phenoplast, solvents, oils, greases and other chemical agents proof

**Metallic Part Material & Finishing:** Zinc Plated Steel Hub, with predrilled hole

Code	D	d	d1	H	h	h1	h2	Weight gr.	Packing Pcs.
B1V8A090	90	28	23	63	38	18	59	280	20
B1V8A108	108	35	30	67	50	21	61	492	20

**B1b Clamping Components** - SERIES V9B Handwheel, 9 Points, Threaded Insert



**Characteristics**

**Main Part Material:** Black Phenoplast, solvents, oils, greases and other chemical agents proof

**Metallic Part Material & Finishing:** Brass Insert, Threaded Blind Hole

Code	D	d	d1	H	h	P	Weight gr.	Packing Pcs.
B1V9B2004	20	04MA	13	18	8	8	6	20
B1V9B2005	20	05MA	13	18	8	10	7	20
B1V9B2006	20	06MA	13	18	8	12	7	20
B1V9B2008	20	08MA	13	18	8	12	8	20
B1V9B2504	25	04MA	16	18	9	8	10	20
B1V9B2505	25	05MA	16	18	9	10	10	20
B1V9B2506	25	06MA	16	18	9	12	10	20
B1V9B2508	25	08MA	16	22	12	16	15	20
B1V9B3005	30	05MA	17	23	8	10	17	20
B1V9B3006	30	06MA	17	23	8	12	16	20
B1V9B3008	30	08MA	17	23	8	16	19	20
B1V9B3010	30	10MA	17	23	8	16	20	20
B1V9B4006	40	06MA	21	24	14	12	20	20
B1V9B4008	40	08MA	21	24	14	16	22	20
B1V9B4010	40	10MA	21	24	14	16	24	20

Code	D	d	d1	H	h	P	Weight gr.	Packing Pcs.
B1V9B5006	50	06MA	25	30	16	12	42	20
B1V9B5008	50	08MA	25	30	16	16	42	20
B1V9B5010	50	10MA	25	30	16	22	44	20
B1V9B5012	50	12MA	25	30	16	22	51	20
B1V9B6008	60	08MA	27	34	18	16	60	20
B1V9B6010	60	10MA	27	34	18	22	61	20
B1V9B6012	60	12MA	27	34	18	22	69	20
B1V9B6014	60	14MA	27	34	18	22	67	20
B1V9B7008	70	08MA	31	35	19	16	81	20
B1V9B7010	70	10MA	31	35	19	22	79	20
B1V9B7012	70	12MA	31	35	19	22	76	20
B1V9B7014	70	14MA	31	35	19	22	89	20
B1V9B7016	70	16MA	31	35	19	22	97	20