

















B1b Clamping Components

 <p>PFB Knob, Threaded Insert</p>	 <p>PFM Knob, Threaded Stud</p>	 <p>PI Spring Locking Bolt, Threaded</p>	 <p>PID Spring Locking Bolt & Nut, Threaded</p>
 <p>PSB Ball Knob, Threaded Insert</p>	 <p>PSC Ball Knob, Moulded Thread</p>	 <p>PSM Ball Knob, Threaded Stud</p>	 <p>PSMG Ball Knob, Threaded Revolving Stud</p>
 <p>PSN Ball Knob, Nylon Bush</p>	 <p>V3A Grip, 3 Points, Steel Hub</p>	 <p>V3B Grip, 3 Points, Threaded Blind Insert</p>	 <p>V3BP Grip, 3 Points, Threaded Thru- Insert</p>
 <p>V3M Grip, 3 Points, Threaded Stud</p>	 <p>V7AF Star Knob, 7 Points, Steel Hub</p>	 <p>V7AO Star Knob, 7 Points, Brass Hub</p>	 <p>V7B Star Knob, 7 Points, Threaded Blind Insert</p>

B1b Clamping Components



V7BP
Star Knob, 7
Points, Threaded
Thru-Insert



V7L
Star Knob, 7
Points, Non-
Threaded Blind
Insert



V7M
Star Knob, 7
Points, Threaded
Stud



V7MN
Nylon Star Knob,
Threaded Stud



V7MX
Star Knob, 7
Points,
STAINLESS
STEEL Stud



V7NBP
Nylon Star Knob,
Threaded Thru-
Insert



V7NC
Nylon Star Knob,
Threaded Blind
Insert



V7RBP
Lowered Star
knob, 7 Points,
Threaded Thru-
Insert



V7RQP
Lowered Star
knob, 7 Points,
Square Thru-Insert



V7SB
Lightweight Star
Knob, 7 Points,
Threaded Blind
Insert



V7SBP
Lightweight Star
Knob, 7 Points,
Threaded Thru-
Insert



V7SM
Lightweight Star
Knob, 7 Points,
Threaded Stud

B1b Clamping Components



V8A
Handwheel, 8
Points, Steel Hub



V9B
Handwheel, 9
Points, Threaded
Insert



V9M
Handwheel, 9
Points, Threaded
Stud



VZB
Thumb Knob,
Threaded Blind
Insert



VZBP
Thumb Knob,
Threaded Thru-
Insert



VZM
Thumb Knob,
Threaded Stud



VZTB
Nylon Thumb
Knob, Threaded
Blind Insert

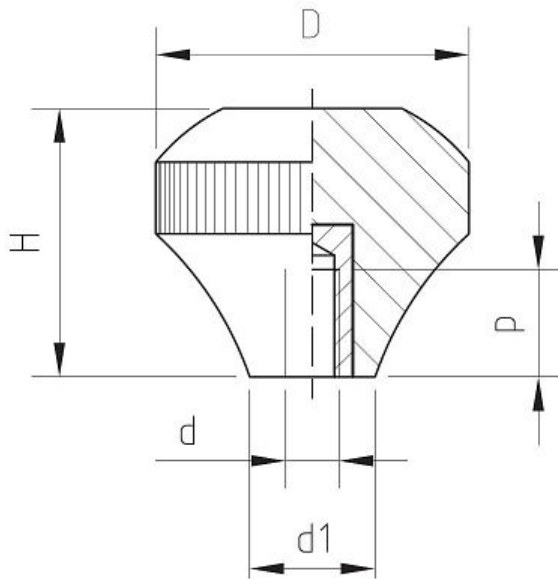


VZTBP
Nylon Thumb
Knob, Threaded
Thru-Insert



VZTM
Nylon Thumb
Knob, Threaded
Stud

B1b Clamping Components - SERIES **PFB** Knob, Threaded Insert



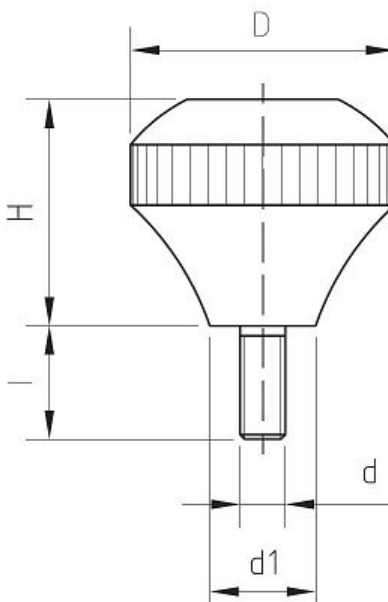
Characteristics

Main Part Material: Black Phenoplast, solvents, oils, greases and other chemical agents proof

Metallic Part Material & Finishing: Brass Insert, Threaded Blind Hole

Code	D	d	d1	H	P	Weight gr.	Packing Pcs.
B1PFB3506	35	M06	14	30	12	26	20
B1PFB3508	35	M08	14	30	16	29	20

B1b Clamping Components - SERIES **PFM** Knob, Threaded Stud



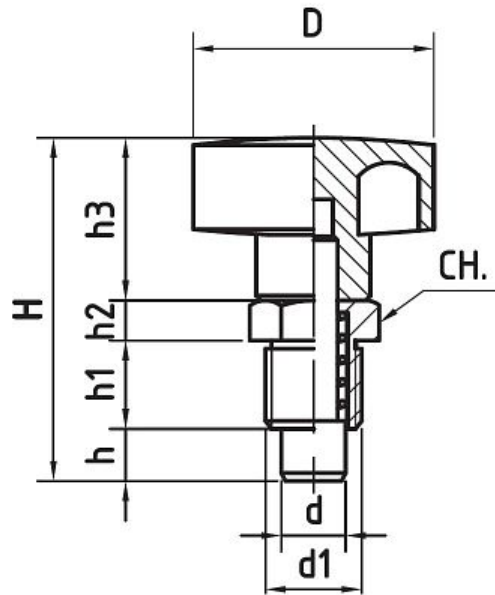
Characteristics

Main Part Material: Black Phenoplast, solvents, oils, greases and other chemical agents proof

Metallic Part Material & Finishing: Zinc Plated Threaded Steel Bolt

Code	D	d	d1	H	P	Weight gr.	Packing Pcs.
B1PFM350615	35	M06	14	30	15	28	20
B1PFM350815	35	M08	14	30	15	33	20

B1b Clamping Components - SERIES PI Spring Locking Bolt, Threaded

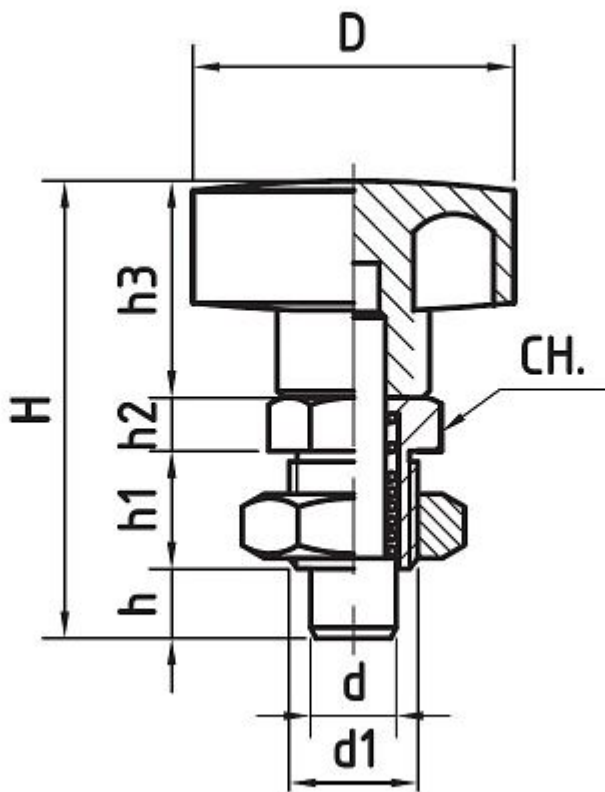


Characteristics

Main Part Material: Black Technopolymer, fiberglass-reinforced, solvents, oils, greases and other chemical agents proof

Metallic Part Material & Finishing: Stud & Nut in Carbonitred Zinc Plated Steel

Code	D	d	d2	h	h1	h2	Weight gr.	Spanner	Packing Pcs.
B1PI200510	20	5	M10x1	5	17	18	23	12	20
B1PI200612	20	6	M12x1,5	6	11	15	20	14	20
B1PI200712	20	7	M12	7	11	15	21	14	20
B1PI200812	20	8	M12x1,5	7	11	15	22	14	20
B1PI300612	30	6	M12x1,5	6	11	22	25	14	20
B1PI300616	30	6	M16x1,5	6	26	22	30	19	20
B1PI300712	30	7	M12	7	11	22	26	14	20
B1PI300716	30	7	M16x1,5	7	26	22	31	19	20
B1PI300812	30	8	M12x1,5	7	11	22	28	14	20
B1PI300816	30	8	M16x1,5	7	26	22	32	19	20



Characteristics

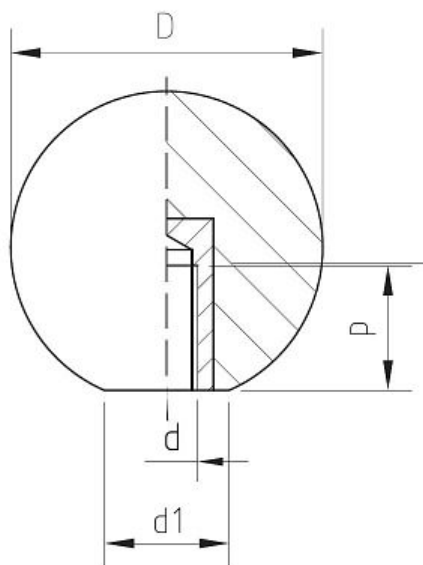
Main Part Material: Black Technopolymer, fiberglass-reinforced, solvents, oils, greases and other chemical agents proof

Metallic Part Material & Finishing: Nut & Lock Nut: Carbonitreded zinc plated Steel

Other components: UNI 5589 Zinc Plated Locking Nut

Code	D	d	d2	h	h1	h2	Weight gr.	Spanner	Packing Pcs.
B1PID200510	20	5	M10x1	5	17	18	23	12	20
B1PID200612	20	6	M12x1,5	6	11	15	40	14	20
B1PID200712	20	7	M12	7	11	15	41	14	20
B1PID200812	20	8	M12x1,5	7	11	15	42	14	20
B1PID300612	30	6	M12x1,5	6	11	22	45	14	20
B1PID300616	30	6	M16x1,5	6	26	22	50	19	20
B1PID300712	30	7	M12	7	11	22	46	14	20
B1PID300716	30	7	M16x1,5	7	26	22	51	19	20
B1PID300812	30	8	M12x1,5	7	11	22	48	14	20
B1PID300816	30	8	M16x1,5	7	26	22	52	19	20

B1b Clamping Components - SERIES PSB Ball Knob, Threaded Insert



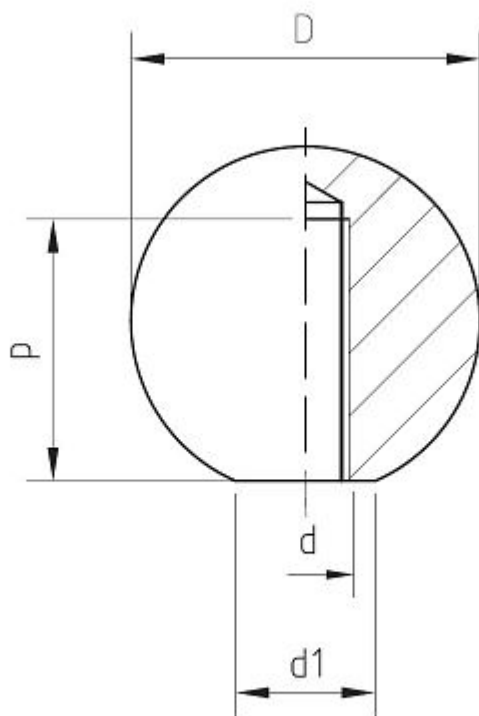
Characteristics

Main Part Material: Black Phenoplast, solvents, oils, greases and other chemical agents proof

Metallic Part Material & Finishing: Brass Insert, Threaded Blind Hole

Code	D	d	d1	P	Weight gr.	Packing Pcs.
B1PSB2004	20	04MA	8	8	7	20
B1PSB2005	20	05MA	8	10	8	20
B1PSB2006	20	06MA	8	12	8	20
B1PSB2606	26	06MA	12	12	15	20
B1PSB2608	26	08MA	12	16	17	20
B1PSB3006	30	06MA	16	12	21	20
B1PSB3008	30	08MA	16	16	23	20
B1PSB3010	30	10MA	16	22	25	20
B1PSB3508	35	08MA	16	16	35	20
B1PSB3510	35	10MA	16	22	37	20
B1PSB3512	35	12MA	16	22	41	20
B1PSB4008	40	08MA	16	16	52	20
B1PSB4010	40	10MA	16	22	53	20
B1PSB4012	40	12MA	16	22	60	20
B1PSB4508	45	08MA	22	16	67	20
B1PSB4510	45	10MA	22	22	70	20
B1PSB4512	45	12MA	22	22	78	20
B1PSB4514	45	14MA	22	22	78	20
B1PSB4516	45	16MA	22	22	85	20
B1PSB5010	50	10MA	22	22	98	20
B1PSB5012	50	12MA	22	22	104	20
B1PSB5014	50	14MA	22	22	104	20
B1PSB5016	50	16MA	22	22	114	20

B1b Clamping Components - SERIES PSC Ball Knob, Moulded Thread



Characteristics

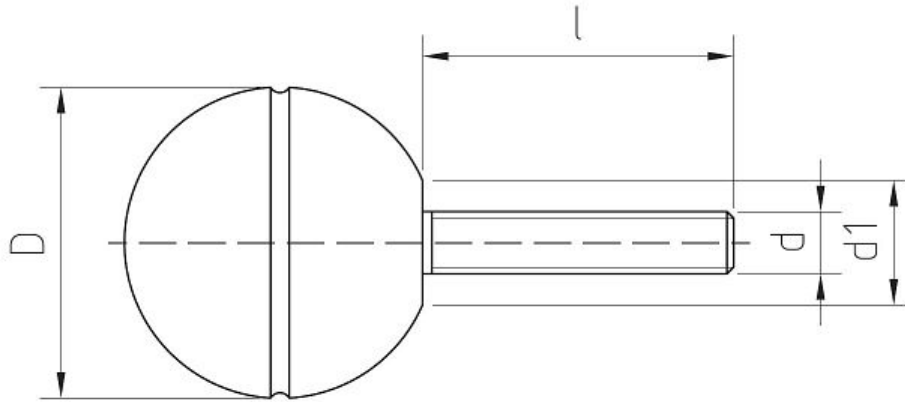
Main Part Material: Black Phenoplast, solvents, oils, greases and other chemical agents proof

Standard Thread: Moulded Thread

Code	D	d	d1	P	Weight gr.	Packing Pcs.
B1PSC2005	20	05MA	8	15	6	20
B1PSC2006	20	06MA	8	15	5	20
B1PSC2605	26	05MA	12	15	13	20
B1PSC2606	26	06MA	12	18	12	20
B1PSC2608	26	08MA	12	20	11	20
B1PSC3005	30	05MA	16	15	18	20
B1PSC3006	30	06MA	16	18	18	20
B1PSC3008	30	08MA	16	20	17	20
B1PSC3010	30	10MA	16	20	16	20
B1PSC3506	35	06MA	16	18	30	20
B1PSC3508	35	08MA	16	24	28	20
B1PSC3510	35	10MA	16	30	27	20

Code	D	d	d1	P	Weight gr.	Packing Pcs.
B1PSC3512	35	12MA	16	30	25	20
B1PSC4006	40	06MA	16	18	46	20
B1PSC4008	40	08MA	16	24	45	20
B1PSC4010	40	10MA	16	30	43	20
B1PSC4012	40	12MA	16	30	42	20
B1PSC4510	45	10MA	22	30	59	20
B1PSC4512	45	12MA	22	30	59	20
B1PSC4514	45	14MA	22	30	59	20
B1PSC4516	45	16MA	22	30	58	20
B1PSC5010	50	10MA	22	38	85	20
B1PSC5012	50	12MA	22	38	83	20
B1PSC5014	50	14MA	22	38	81	20
B1PSC5016	50	16MA	22	38	80	20

B1b Clamping Components - SERIES PSM Ball Knob, Threaded Stud

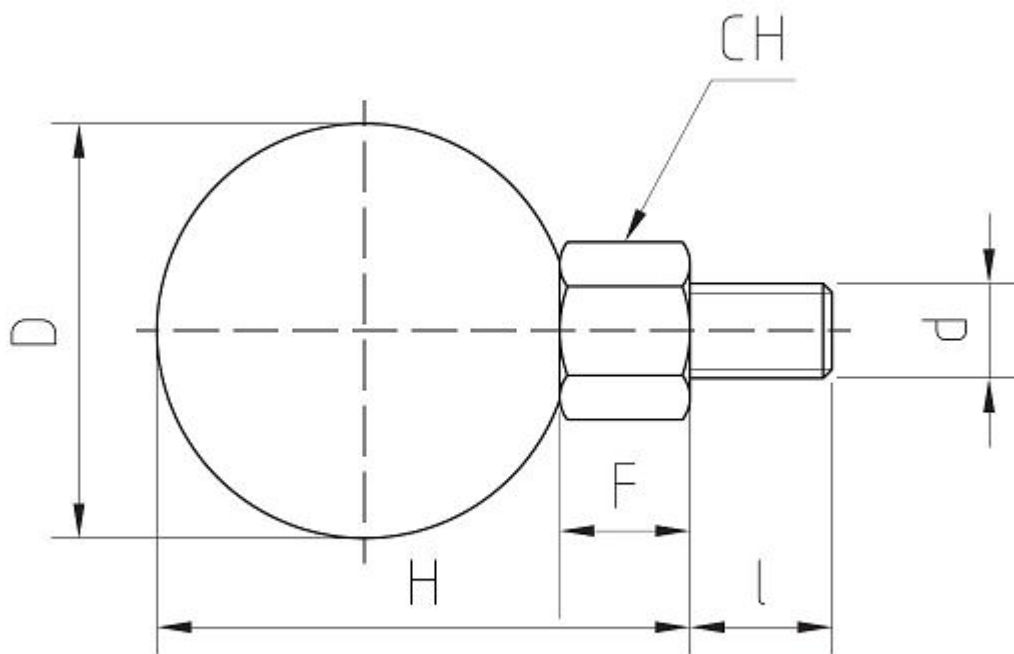


Characteristics

Main Part Material: Black Phenoplast, solvents, oils, greases and other chemical agents proof

Metallic Part Material & Finishing: Zinc Plated Threaded Steel Bolt

Code	D	d	d1	l	Weight gr.	Packing Pcs.
B1PSM200420	20	04MA	8	20	9	20
B1PSM260620	26	06MA	12	20	18	20
B1PSM300620	30	06MA	16	20	28	20
B1PSM350820	35	08MA	16	20	39	20
B1PSM400820	40	08MA	16	20	56	20
B1PSM401020	40	10MA	16	20	50	20
B1PSM451230	45	12MA	22	30	100	20
B1PSM501230	50	12MA	22	30	124	20



Characteristics

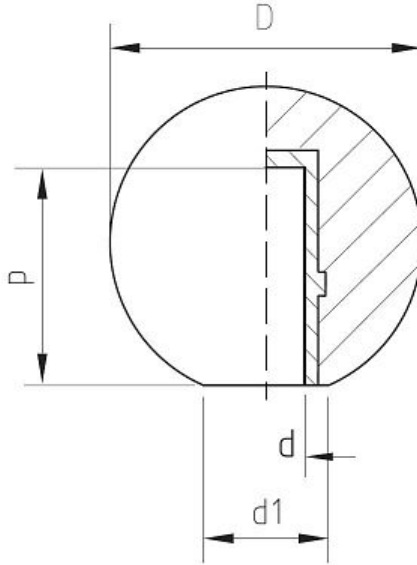
Main Part Material: Black Phenoplast, solvents, oils, greases and other chemical agents proof

Metallic Part Material & Finishing: Revolving Zinc Plated Threaded Steel Bolt

Code	D	d	F	H	I	Weight gr.	Spanner	Packing Pcs.
B1PSMG350812	35	08MA	10	45	12	70	14	20
B1PSMG351015	35	10MA	10	45	15	72	14	20
B1PSMG400812	40	08MA	10	50	12	85	14	20
B1PSMG401015	40	10MA	10	50	15	88	14	20
B1PSMG450812	45	08MA	10	55	12	103	14	20
B1PSMG451015	45	10MA	10	55	15	105	14	20
B1PSMG500812	50	08MA	10	60	12	127	14	20

Code	D	d	F	H	I	Weight gr.	Spanner	Packing Pcs.
B1PSMG501015	50	10MA	10	60	15	130	14	20

B1b Clamping Components - SERIES PSN Ball Knob, Nylon Bush



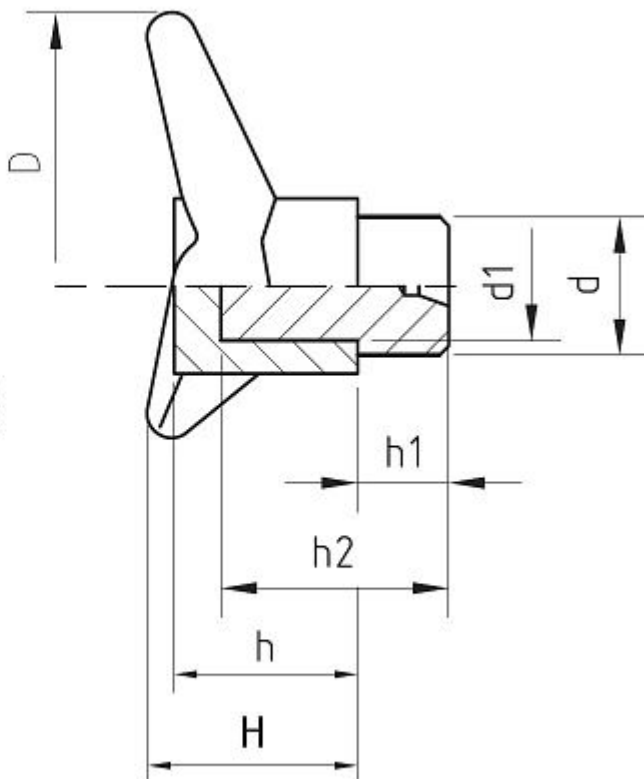
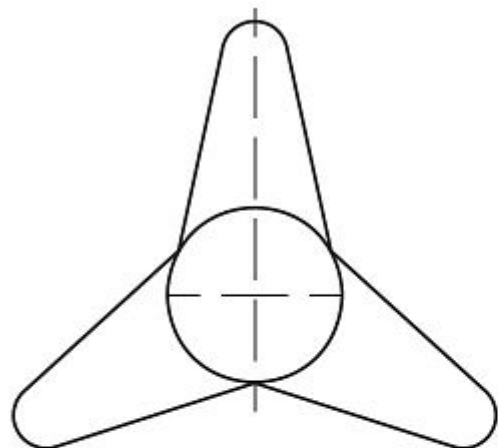
Characteristics

Main Part Material: Black Phenoplast, solvents, oils, greases and other chemical agents proof

Standard Thread: Press-Fitting Nylon Bush

Code	D	d	d1	P	Weight gr.	Packing Pcs.
B1PSN2005	20	5	8	14	6	20
B1PSN2006	20	6	8	14	6	20
B1PSN2605	26	5	12	14	13	20
B1PSN2606	26	6	12	14	12	20
B1PSN3006	30	6	16	14	18	20
B1PSN3008	30	8	16	22	17	20
B1PSN3010	30	10	16	22	16	20
B1PSN3506	35	6	16	14	30	20
B1PSN3508	35	8	16	22	28	20
B1PSN3510	35	10	16	22	27	20
B1PSN3512	35	12	16	24	27	20
B1PSN4008	40	8	16	22	46	20
B1PSN4010	40	10	16	22	45	20
B1PSN4012	40	12	16	24	44	20
B1PSN4510	45	10	22	22	60	20
B1PSN4512	45	12	22	24	59	20
B1PSN5010	50	10	22	22	85	20
B1PSN5012	50	12	22	24	83	20
B1PSN5014	50	14	22	24	82	20
B1PSN5016	50	16	22	29	81	20

B1b Clamping Components - SERIES V3A Grip, 3 Points, Steel Hub



Characteristics

Main Part Material: Black Phenoplast, solvents, oils, greases and other chemical agents proof

Metallic Part Material & Finishing: Zinc Plated Steel Hub, with predrilled hole

Code	D	d	d1	H	h	h1	h2	Weight gr.	Packing Pcs.
B1V3A60	60	12	12	24	21	10	25	39	20
B1V3A70	70	14	14	26	23	10	28	53	20
B1V3A80	80	24	21	42	38	10	34	150	20
B1V3A90	90	24	21	38	32	10	34	153	20
B1V3A100	100	25	21	37	33	15	34	171	20
B1V3A120	120	28	23	48	42	15	38	261	20
B1V3A140	140	32	27	53	44	15	38	388	20