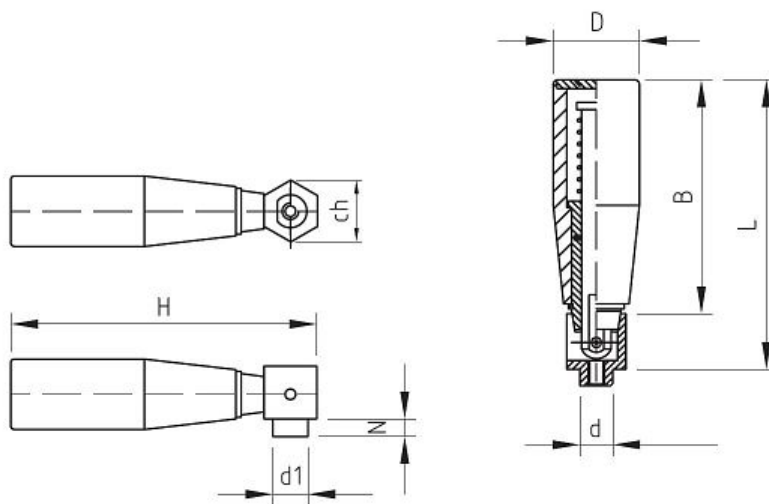


**B1a Handles and Grips** - SERIES **MSE** Snap Handle, Collapsible with Hexagon



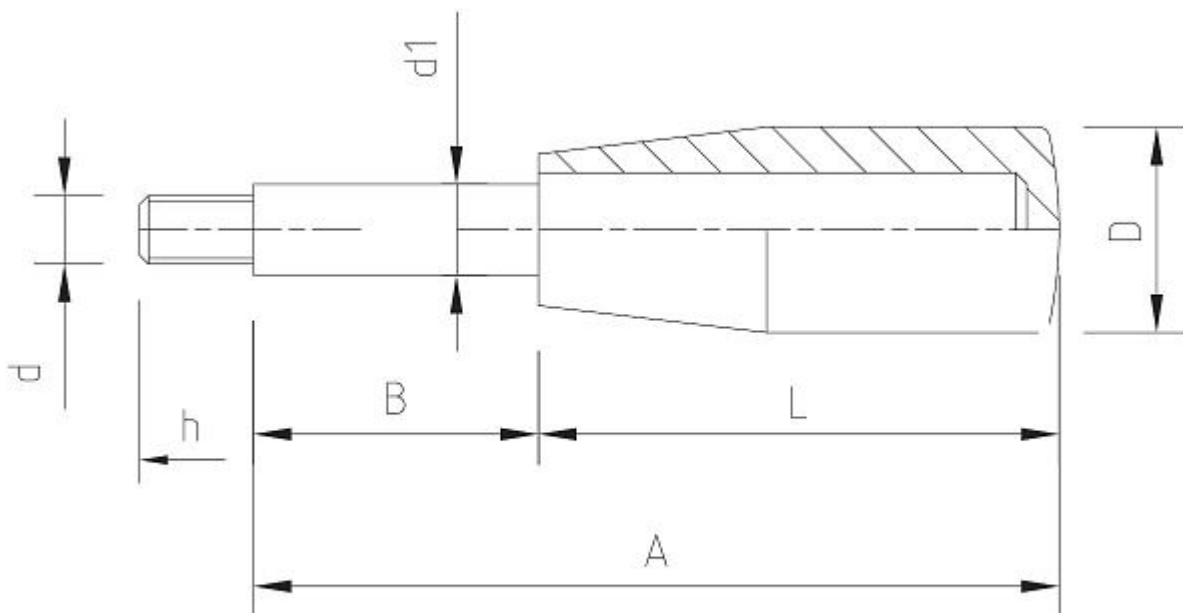
**Characteristics**

**Main Part Material:** Black Technopolymer, fiberglass-reinforced, solvents, oils, greases and other chemical agents proof

**Metallic Part Material & Finishing:** Zinc Plated Steel Bolt and Join

Code	A1	D	d	d1	d2	H	L	N	Weight gr.	Spanner	Packing Pcs.
<b>B1MSE28</b>	86	28	06MA	11,5	10,5	109	107	5	157	19x18	20

**B1a Handles and Grips** - SERIES MT Handle with Rod



**Characteristics**

**Main Part Material:** Black Technopolymer, fiberglass-reinforced, solvents, oils, greases and other chemical agents proof

**Metallic Part Material & Finishing:** Zinc Plated Steel Rod

Code	A	D	d	d1	h	L	Weight gr.	Packing Pcs.
B1MT180625	70	18	M06	6	9	45	35	20
B1MT180635	80	18	M06	6	9	45	40	20
B1MT180650	95	18	M06	6	9	45	55	20
B1MT180835	80	18	M08	8	10	45	48	20
B1MT180850	95	18	M08	8	10	45	55	20
B1MT2008135	89,5	20	M08	8	11	63	100	20
B1MT200826	98	20	M08	8	9	63	44	20
B1MT200835	123	20	M08	8	10	63	48	20
B1MT200860	153	20	M08	8	10	63	73	20

Code	A	D	d	d1	h	L	Weight gr.	Packing Pcs.
B1MT200890	200	20	M08	8	11	63	87	20
B1MT2410124	125	24	M10	10	15	76	150	20
B1MT241049	140	24	M10	10	15	76	95	20
B1MT241064	160	24	M10	10	15	76	98	20
B1MT241084	200	24	M10	10	15	76	120	20
B1MT241265	141	24	M12	12	12	76	150	20
B1MT2812113	130	28	M12	12	15	87	215	20
B1MT281243	145	28	M12	12	15	87	130	20
B1MT281258	200	28	M12	12	15	87	150	20
B1MT2814113	105	28	M14	14	16	87	260	20
B1MT281418	130	28	M14	14	16	87	122	20
B1MT281443	145	28	M14	14	16	87	165	20
B1MT281458	200	28	M14	14	16	87	182	20