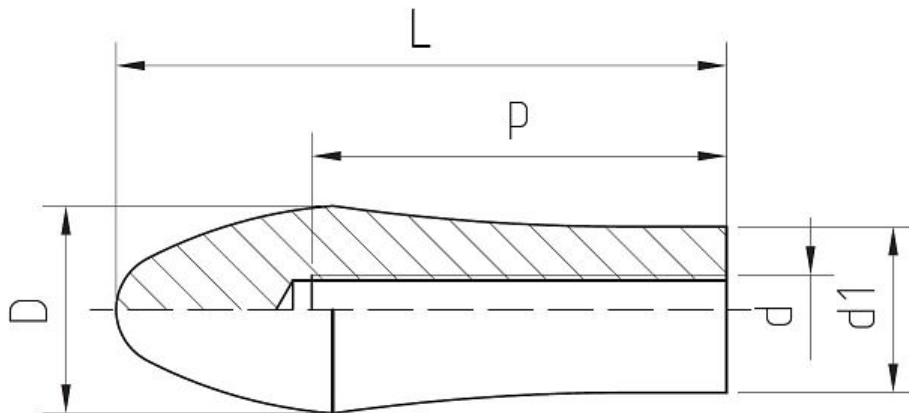


**B1a Handles and Grips** - SERIES ME Pear-Shaped Grip, Moulded Thread



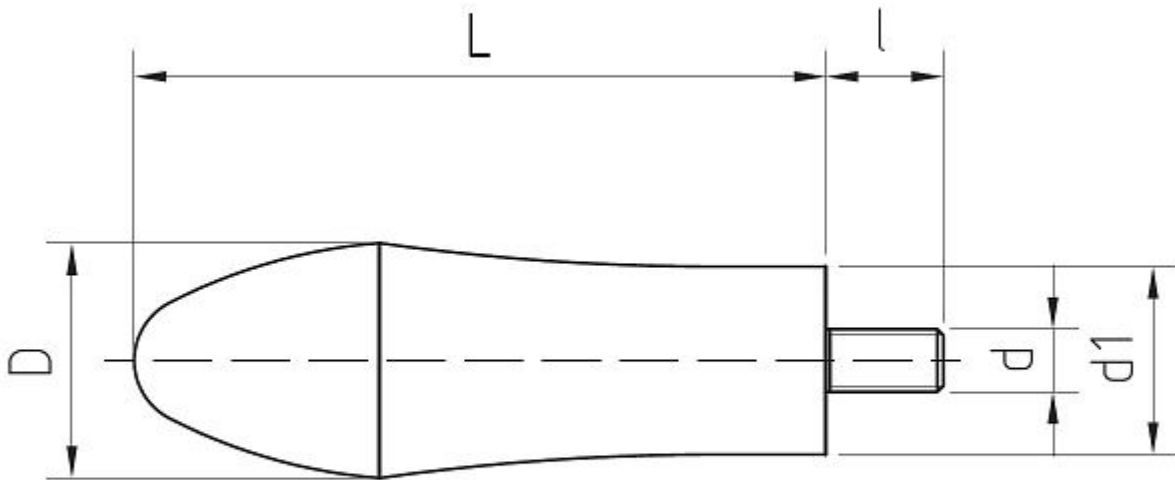
**Characteristics**

**Main Part Material:** Black Phenoplast, solvents, oils, greases and other chemical agents proof

**Standard Thread:** Moulded Thread

Code	D	d	d1	L	P	Weight gr.	Packing Pcs.
<b>B1ME8810</b>	30	10MA	24	88	60	51	20
<b>B1ME8812</b>	30	12MA	24	88	60	50	20

**B1a Handles and Grips** - SERIES MEM Pear-Shaped Grip, Threaded Stud



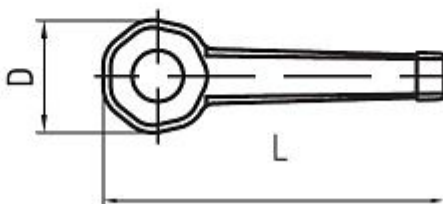
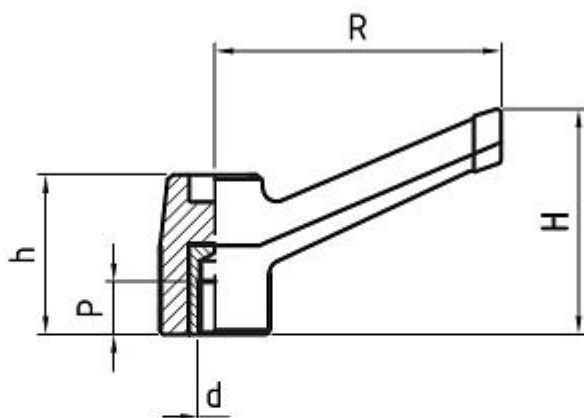
**Characteristics**

**Main Part Material:** Black Phenoplast, solvents, oils, greases and other chemical agents proof

**Metallic Part Material & Finishing:** Zinc Plated Steel Bolt, Chamfered End

Code	D	d	d1	l	L	Weight gr.	Packing Pcs.
B1MEM880530	30	08MA	24	30	88	81	20
B1MEM880815	30	08MA	24	15	88	81	20
B1MEM881015	30	10MA	24	15	88	73	20
B1MEM881025	30	10MA	24	25	88	100	20
B1MEM881030	30	10MA	24	30	88	96	20
B1MEM881220	30	12MA	24	17	88	96	20
B1MEM881225	30	12MA	24	25	88	102	20

**B1a Handles and Grips** - SERIES **MFB** Fixed Handle, Threaded Insert



**Characteristics**

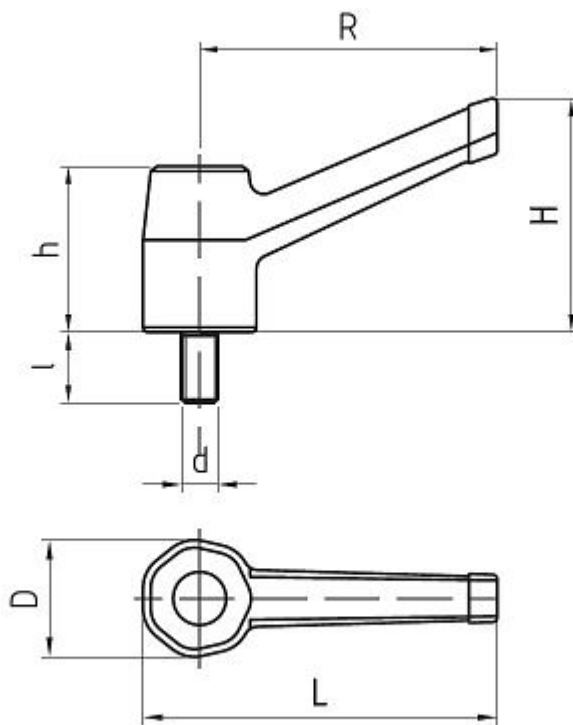
**Main Part Material:** Black Technopolymer, fiberglass-reinforced, solvents, oils, greases and other chemical agents proof

**Metallic Part Material & Finishing:** Brass Insert, Threaded Blind Hole

**Other plastic components:** Anodized aluminium self-adhesive frontal cover

Code	D	d	H	h	L	P	R	Weight gr.	Packing Pcs.
B1MFB4005	17	M05	33	22	50	10	40	9	20
B1MFB4006	17	M06	33	22	50	12	40	9	20
B1MFB6006	22	M06	38	26	70	12	60	16	20
B1MFB6008	22	M08	38	26	70	16	60	18	20
B1MFB8010	27	M10	50	33	95	22	80	36	20
B1MFB8012	27	M12	50	33	95	22	80	39	20
B1MFB10014	38	M14	73	42	117	22	100	77	20
B1MFB10016	38	M16	73	42	117	22	100	88	20

**B1a Handles and Grips** - SERIES **MFM** Fixed Handle, Threaded Stud



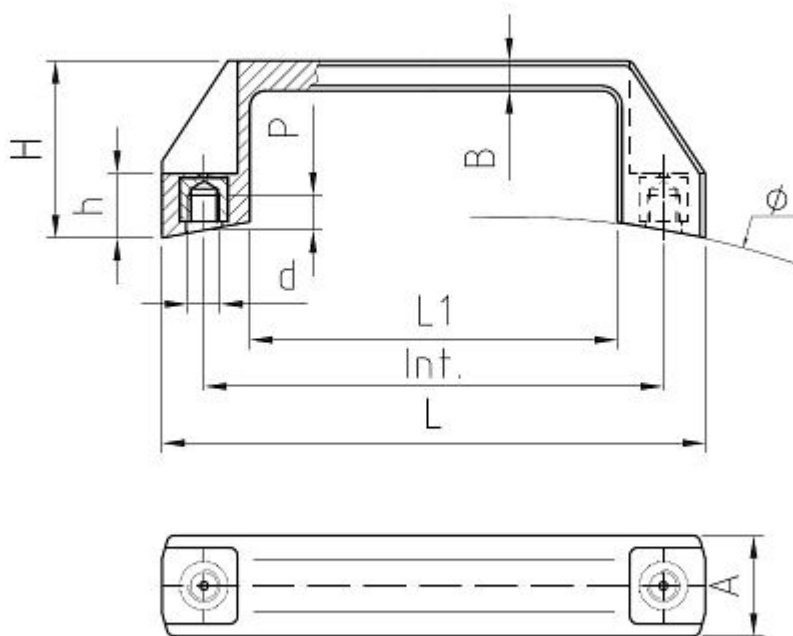
**Characteristics**

**Main Part Material:** Black Technopolymer, fiberglass-reinforced, solvents, oils, greases and other chemical agents proof

**Metallic Part Material & Finishing:** Zinc Plated Threaded Steel Bolt

**Other plastic components:** Anodized aluminium self-adhesive frontal cover

Code	D	d	H	h	I	L	R	Weight gr.	Packing Pcs.
<b>B1MFM400520</b>	17	M05	33	22	20	50	40	12	20
<b>B1MFM400620</b>	17	M06	33	22	20	50	40	14	20
<b>B1MFM600630</b>	22	M06	38	26	30	70	60	20	20
<b>B1MFM600830</b>	22	M08	38	26	30	70	60	25	20
<b>B1MFM801030</b>	27	M10	50	33	30	95	80	52	20
<b>B1MFM801230</b>	27	M12	50	33	30	95	80	72	20
<b>B1MFM1001440</b>	38	M14	73	42	40	117	100	127	20
<b>B1MFM1001650</b>	38	M16	73	42	50	117	100	155	20



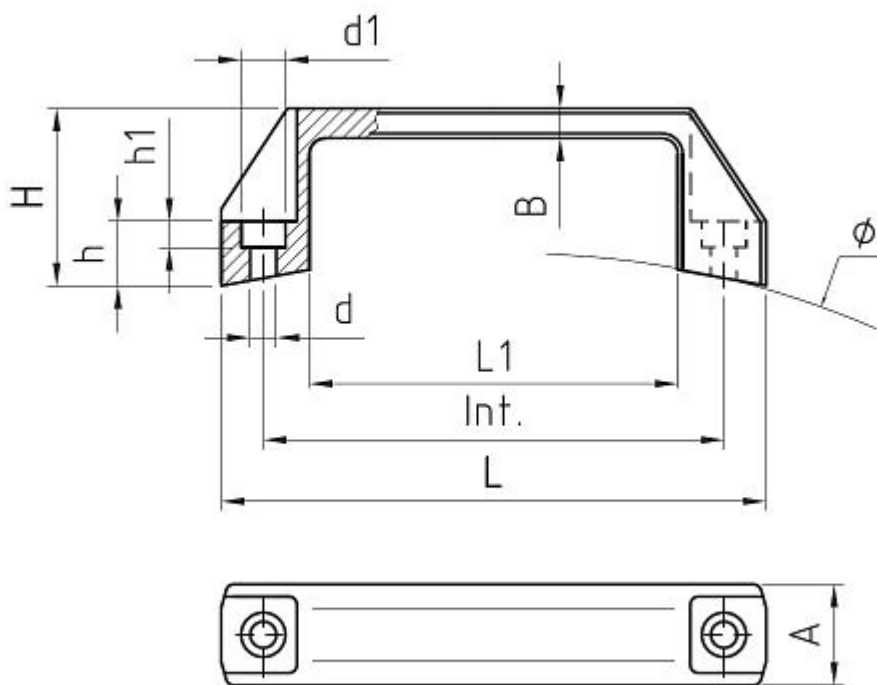
### Characteristics

**Main Part Material:** Black Technopolymer, fiberglass-reinforced, solvents, oils, greases and other chemical agents proof

**Metallic Part Material & Finishing:** Brass Insert, Threaded Blind Hole

**Specific Features:** Suitable for application on bent surfaces of different diameters

Code	A	B	d	H	h	L	L1	P	Weight gr.	Interaxe mm	Packing Pcs.
B1MGB13306	25	8,5	M06	46	19	133	90	12	61	112 ± 1	20
B1MGB13308	25	8,5	M08	46	19	133	90	12	61	112 ± 1	20



### Characteristics

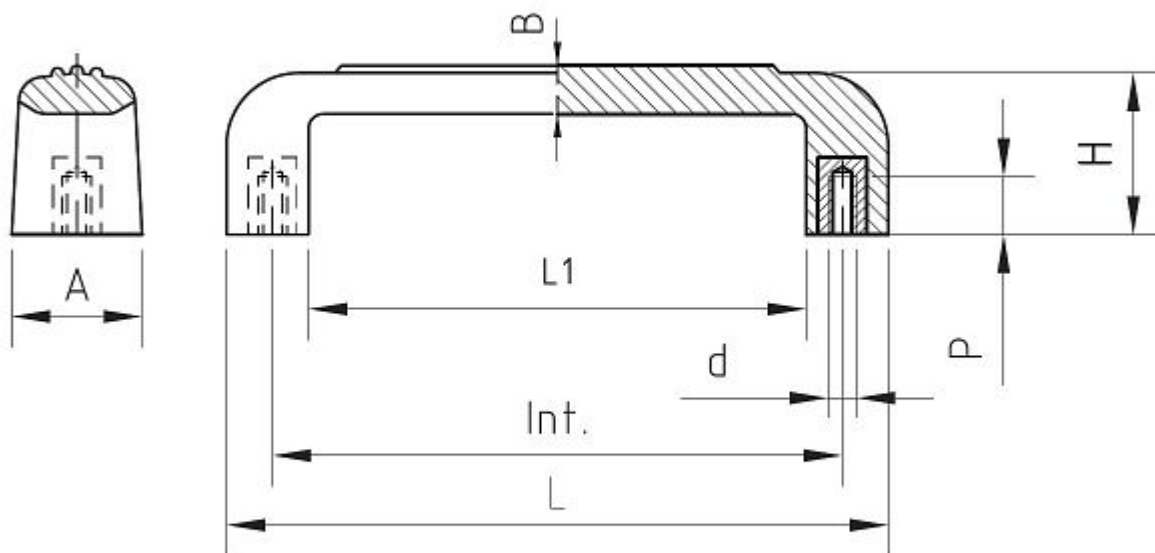
**Main Part Material:** Black Technopolymer, fiberglass-reinforced, solvents, oils, greases and other chemical agents proof

**Standard Thread:** Thru-Hole; Fixing by hexagonal socket screw

**Specific Features:** Suitable for application on bent surfaces of different diameters

Code	A	B	d	d1	H	h	h1	L	L1	Weight gr.	Interaxe mm	Packing Pcs.
B1MGP13311	25	8,5	6,5	11	46	19	7	133	90	53	112 ± 1	20
B1MGP13314	25	8,5	8,5	14	46	19	9	133	90	53	112 ± 1	20

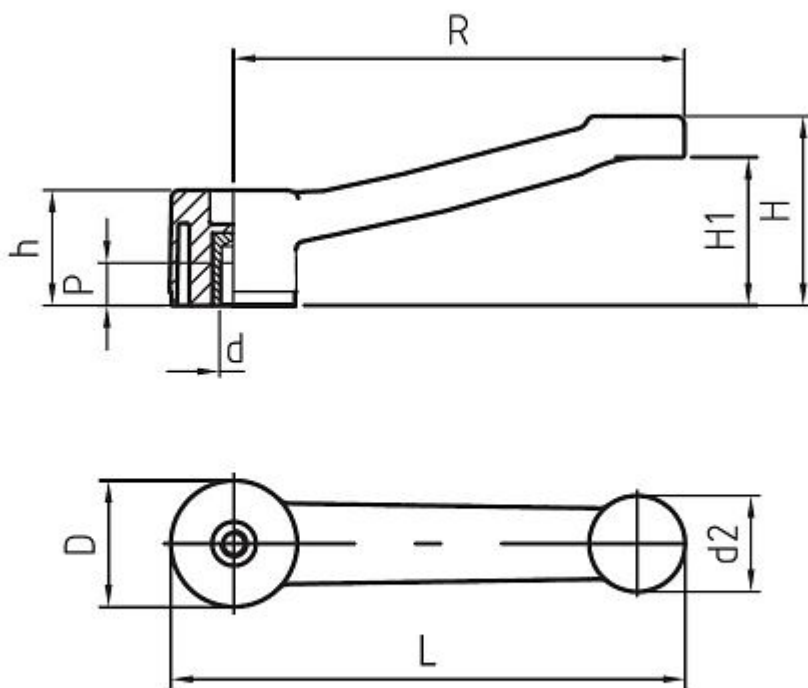
**B1a Handles and Grips** - SERIES **MLB** U-Handle, Threaded



**Characteristics**

**Main Part Material:** Black Phenoplast, solvents, oils, greases and other chemical agents proof

Code	A	B	d	H	L	L1	P	Weight gr.	Interaxe mm	Properties	Packing Pcs.
<b>B1MLB10306</b>	27	10	06MA	35	137	103	12	61	118±0,5	With threaded brass inserts	20
<b>B1MLB13706</b>	27	10	06MA	35	137	103	18	54	118±0,5	With moulded threads	20



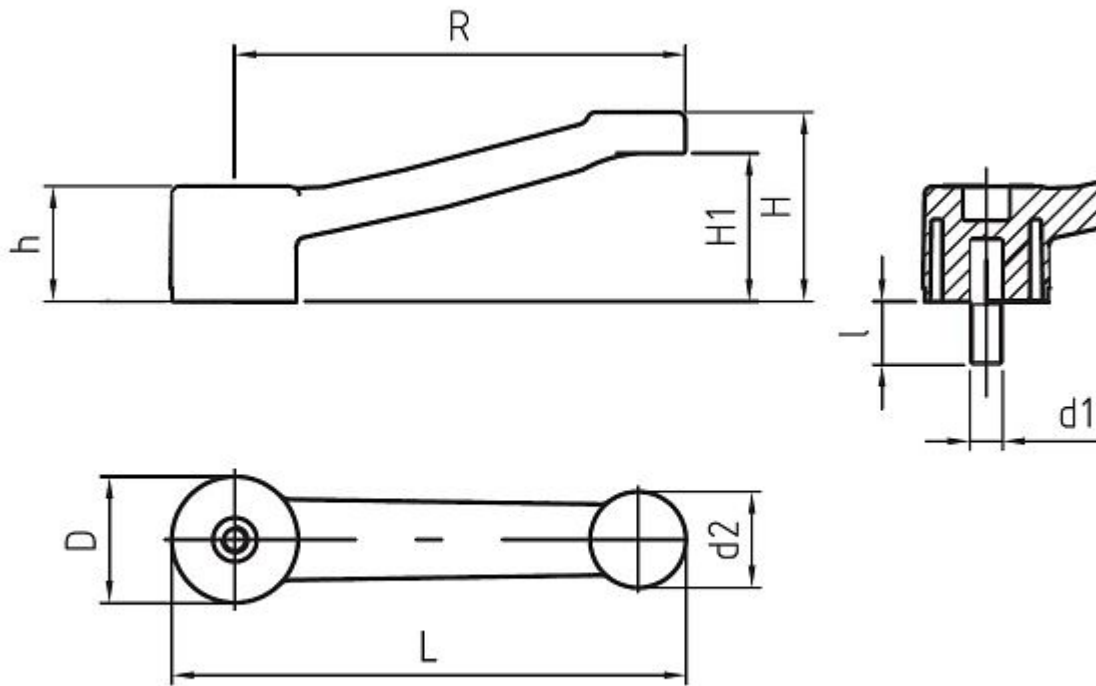
**Characteristics**

**Main Part Material:** Black Technopolymer, fiberglass-reinforced, solvents, oils, greases and other chemical agents proof

**Metallic Part Material & Finishing:** Threaded Brass Insert

**Other plastic components:** Anodized aluminium self-adhesive frontal cover

Code	D	d	d2	H	H1	h	L	P	R	Weight gr.	Packing Pcs.
B1MNB12812	45	M12	35	60	53	42	151	22	128	102	20
B1MNB12814	45	M14	35	60	53	42	151	22	128	106	20
B1MNB12816	45	M16	35	60	53	42	151	22	128	110	20
B1MNB14812	45	M12	35	65	58	42	171	22	148	118	20
B1MNB14814	45	M14	35	65	58	42	171	22	148	122	20
B1MNB14816	45	M16	35	65	58	42	171	22	148	128	20



**Characteristics**

**Main Part Material:** Black Technopolymer, fiberglass-reinforced, solvents, oils, greases and other chemical agents proof

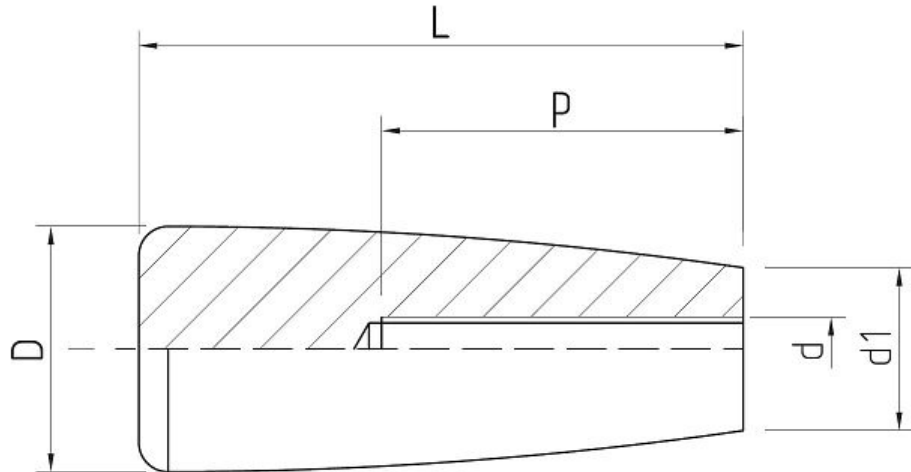
**Metallic Part Material & Finishing:** Zinc Plated Steel Bolt

**Other plastic components:** Anodized aluminium self-adhesive frontal cover

Code	D	d1	d2	H	H1	h	l	L	R	Weight gr.	Packing Pcs.
B1MNM1281230	45	M12	35	60	53	42	30	151	128	140	20
B1MNM1281240	45	M12	35	60	53	42	40	151	128	144	20
B1MNM1281250	45	M12	35	60	53	42	50	151	128	148	20
B1MNM1281430	45	M14	35	60	53	42	30	151	128	154	20
B1MNM1281440	45	M14	35	60	53	42	40	151	128	158	20
B1MNM1281450	45	M14	35	60	53	42	50	151	128	164	20
B1MNM1281630	45	M16	35	60	53	42	30	151	128	174	20
B1MNM1281640	45	M16	35	60	53	42	40	151	128	179	20
B1MNM1281650	45	M16	35	60	53	42	50	151	128	184	20
B1MNM1481230	45	M12	35	65	58	42	30	171	148	146	20
B1MNM1481240	45	M12	35	65	58	42	40	171	148	150	20
B1MNM1481250	45	M12	35	65	58	42	50	171	148	154	20
B1MNM1481430	45	M14	35	65	58	42	30	171	148	160	20

Code	D	d1	d2	H	H1	h	l	L	R	Weight gr.	Packing Pcs.
B1MNM1481440	45	M14	35	65	58	42	40	171	148	164	20
B1MNM1481450	45	M14	35	65	58	42	50	171	148	170	20
B1MNM1481630	45	M16	35	65	58	42	30	171	148	180	20
B1MNM1481640	45	M16	35	65	58	42	40	171	148	185	20
B1MNM1481650	45	M16	35	65	58	42	50	171	148	190	20

## B1a Handles and Grips - SERIES MO Grip, Moulded Thread



### Characteristics

**Main Part Material:** Black Phenoplast, solvents, oils, greases and other chemical agents proof

**Standard Thread:** Moulded Thread

Code	D	d	d1	L	P	Weight gr.	Packing Pcs.
B1MO6406	26	06MA	17	64	35	36	20
B1MO6408	26	08MA	17	64	35	35	20
B1MO6410	26	10MA	17	64	35	34	20
B1MO7608	28	08MA	18	76	48	44	20
B1MO7610	28	10MA	18	76	48	42	20
B1MO8408	33	08MA	21	84	45	65	20
B1MO8410	33	10MA	21	84	45	61	20
B1MO8412	33	12MA	21	84	45	59	20
B1MO9708	37	08MA	22	97	65	106	20
B1MO9710	37	10MA	22	97	65	100	20
B1MO9712	37	12MA	22	97	65	102	20
B1MO9714	37	14MA	22	97	65	94	20