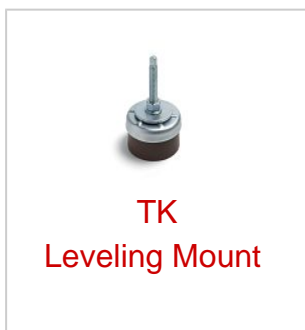
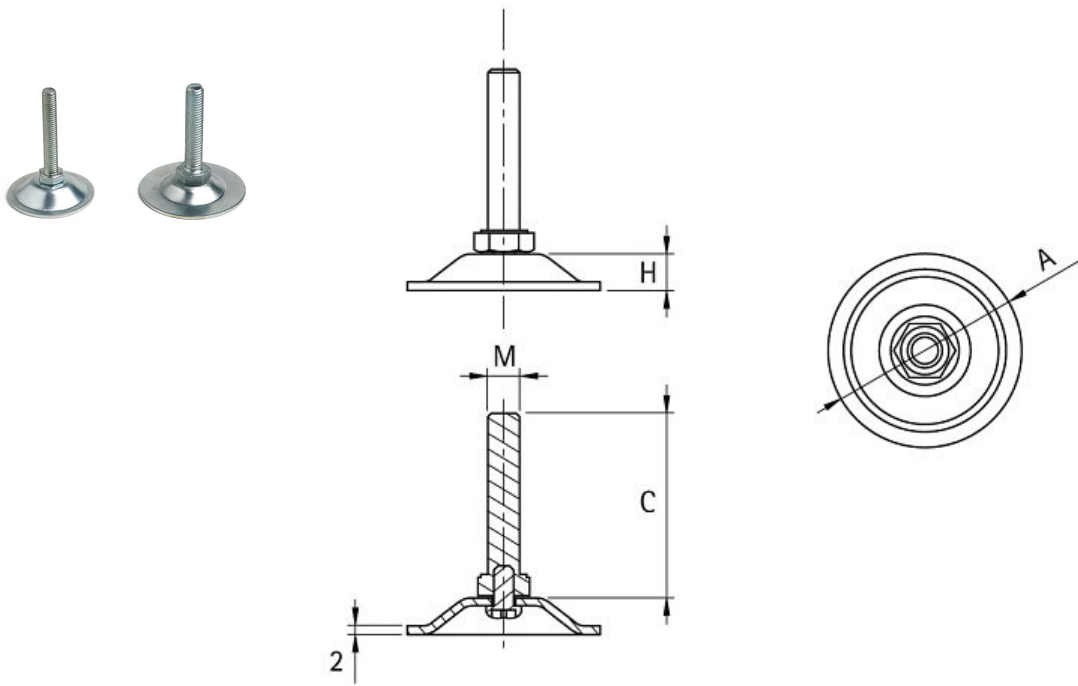


A4 Zinc Plated and Stainless Steel Feet



A4 Zinc Plated and Stainless Steel Feet - SERIES EA Adjustable Foot



Characteristics

Base Material: Galvanized Sheet Iron

Base Type: Not fixable to the ground

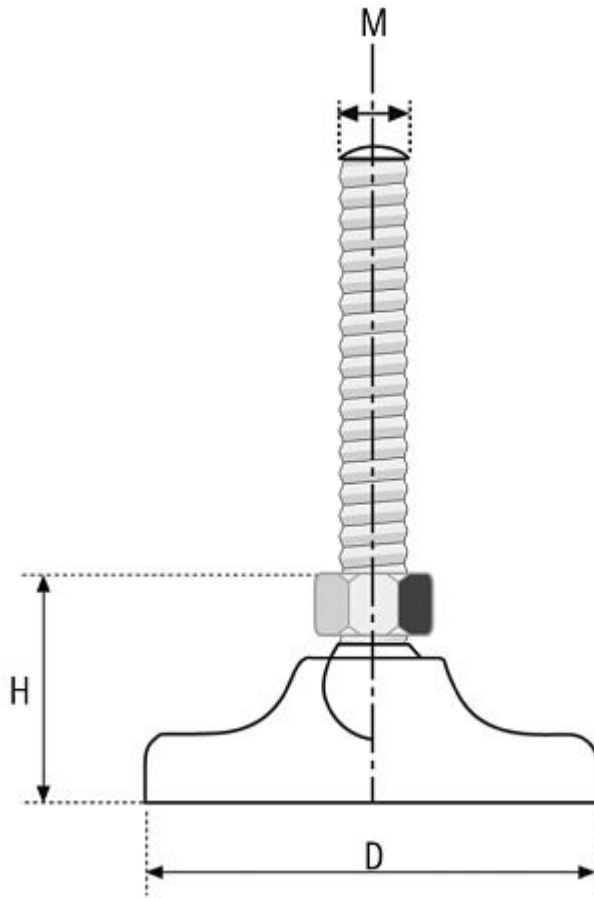
Spindle Material: Zinc Plated Iron

Spindle Type: Fixed

Product Presentation: Spindle assembled to the base

Code	A	C	H	M	Maximum Load daN	Packing Pcs.
A4EA50	50	50	9	M10	100	8
A4EA60	60	50	9	M12	200	8
A4EA80	80	100	9	M16	300	8
A4EA100/16	100	100	9	M16	500	8
A4EA100/20	100	100	9	M20	500	8

A4 Zinc Plated and Stainless Steel Feet - SERIES EM Articulated Foot



Characteristics

Specific Features: Lateral Adjustment : approx 15°

Base Material: Chromium Plated Steel

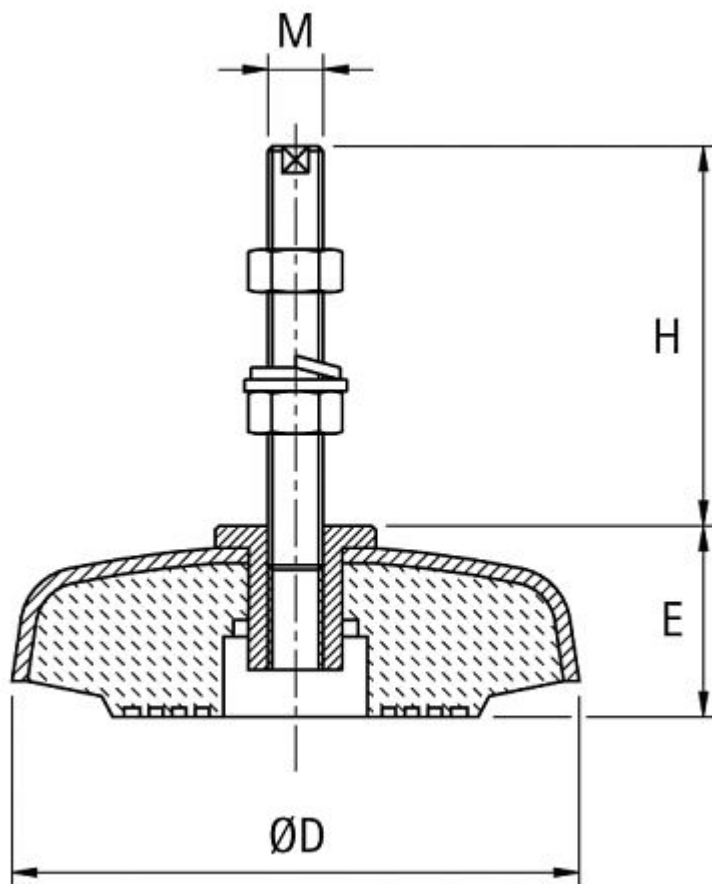
Base Outfit: Non-slip plate enclosed

Spindle Material: Zinc Plated Iron

Spindle Type: Swivel (spheric head)

Product Presentation: Spindle assembled to the base

Code	D	H	M	Screw Length mm	Maximum Load daN	Packing Pcs.
A4EM40/8	40	25	M8	45	100	4
A4EM40/10	40	25	M10	60	100	4
A4EM40/12	40	25	M12	60	150	4
A4EM60/12	60	30	M12	60	200	4
A4EM60/16	60	30	M16	60	300	4
A4EM80/16	80	40	M16	110	500	4
A4EM80/20	80	45	M20	110	800	4

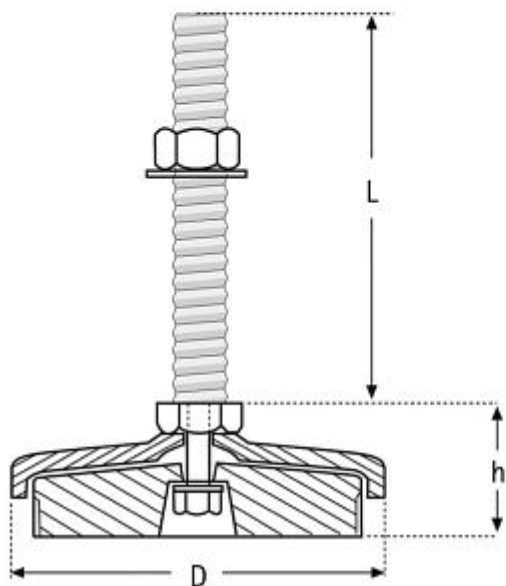
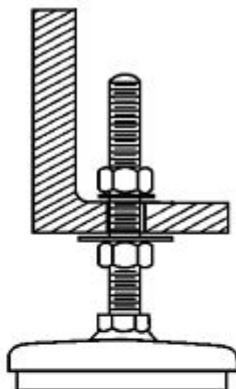


Characteristics

- Base Material:** Zinc Plated Steel
- Base Type:** Antivibration
- Base Outfit:** NBR vulcanized plate
- Spindle Material:** Zinc Plated Steel
- Spindle Type:** Square Headed Bolt
- Spindle Outfit:** 2 nuts + 2 washers
- Product Presentation:** Base and spindle not assembled

Code	D	E	H	M	Spanner	Maximum Load daN	Packing Pcs.
A4TE80	80	29	65	M12	8	400	4
A4TE110	110	34	110	M14	10	700	4
A4TE140	140	45	110	M16	12	1000	4

A4 Zinc Plated and Stainless Steel Feet - SERIES TH SHINE Antivibration Mount



Characteristics

Base Material: Zinc-Chromium Plated Steel

Base Type: Antivibration

Base Outfit: NBR 80 Sh. vulcanized plate

Spindle Material: Zinc Plated Steel

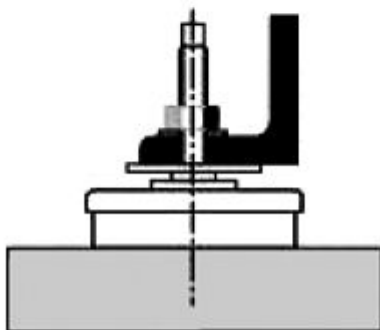
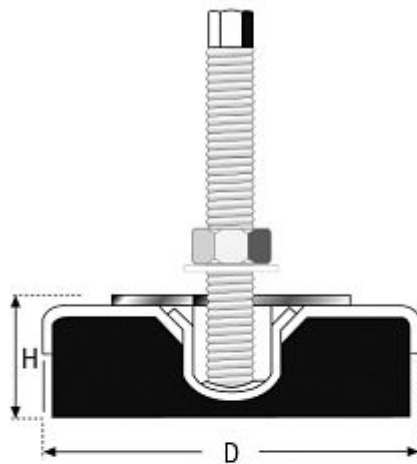
Spindle Type: Fixed

Spindle Outfit: Nut

Product Presentation: Spindle assembled to the base

Code	D	L	Thread	Maximum Load daN	Packing Pcs.
A4TH400	40	50	M10	350	4
A4TH500	50	75	M12	400	4
A4TH600	80	100	M12	600	4
A4TH1200	120	100	M16	1000	4
A4TH3000	160	150	M20	2000	4
A4TH4000	200	150	M20	3000	4

A4 Zinc Plated and Stainless Steel Feet - SERIES TK Leveling Mount



Characteristics

Base Material: Zinc Plated Steel

Base Type: Antivibration, Height Adjustable

Base Outfit: NBR 80 Sh. vulcanized plate

Spindle Material: Zinc Plated Steel

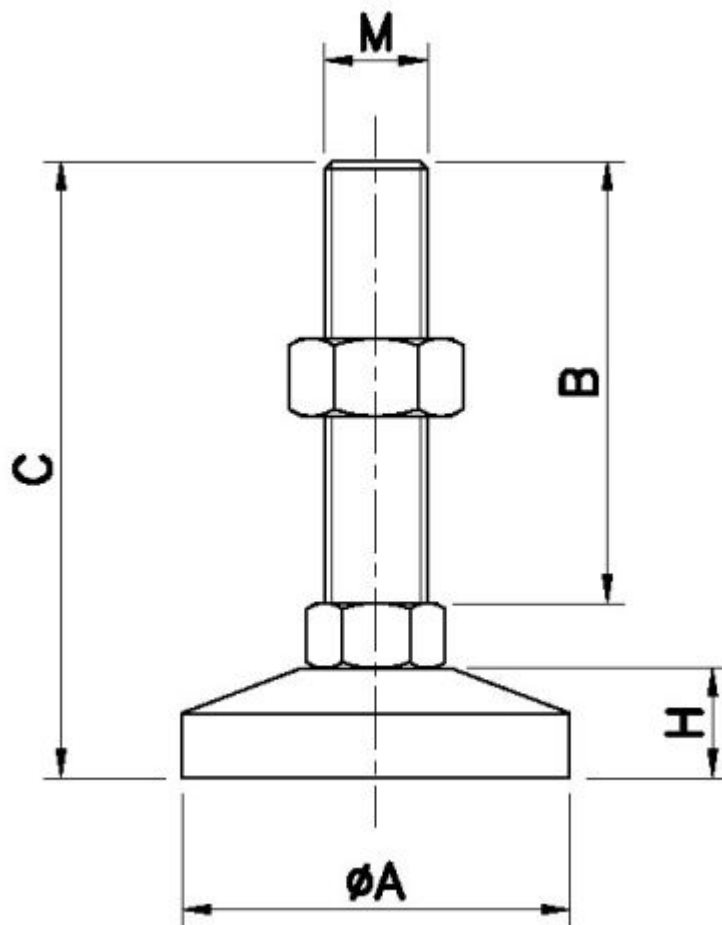
Spindle Type: Fine Thread Square Headed Bolt

Spindle Outfit: 1 nut + 1 washer

Product Presentation: Base and spindle not assembled

Code	D	H	Thread	Screw Length mm	Spanner	Maximum Load daN	Packing Pcs.
A4TK80	80	45	M12x1,25	100	12	400	4
A4TK120	120	45	M16x1,50	120	15	600	4
A4TK160	160	45	M20x1,50	150	15	1200	4
A4TK200	200	55	M20x1,50	160	25	4000	4

A4 Zinc Plated and Stainless Steel Feet - SERIES TX Stainless Steel Foot



Characteristics

Base Material: Stainless Steel

Base Type: Antivibration

Base Outfit: NBR plate

Spindle Material: Stainless Steel

Spindle Type: Revolving

Product Presentation: Spindle assembled to the base

Code	A	B	C	H	M	Maximum Load daN	Packing Pcs.
A4TX60	60	100	128	20	M12	600	4
A4TX80	80	100	133	23	M16	700	4
A4TX100	100	100	133	24	M20	1200	4