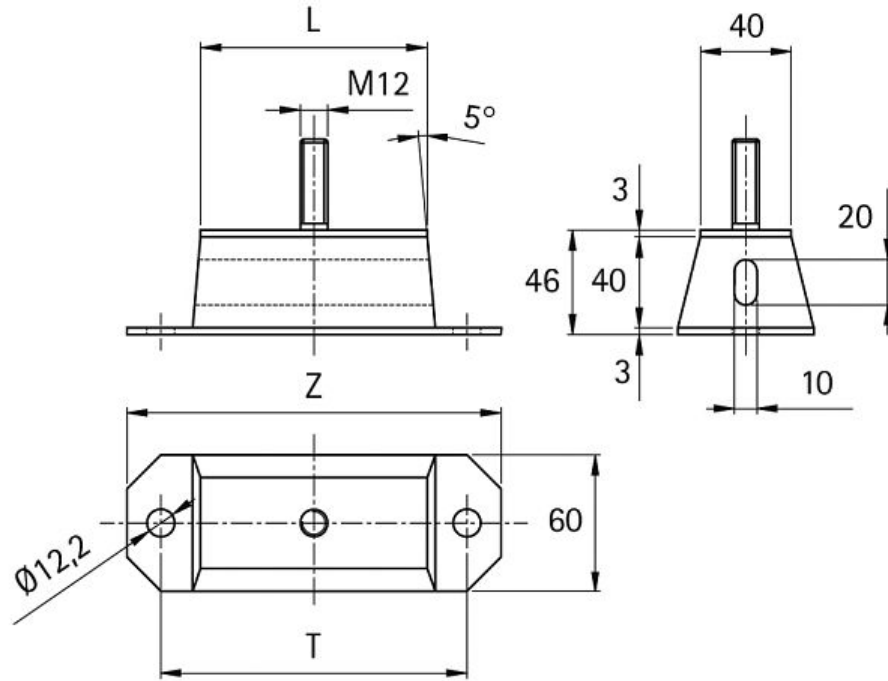


A2 Mountings With Other Shapes - SERIES SF Rectangular Support



Characteristics

Main Part Material: NR/SBR Rubber Compound

Standard Hardness: 60 Shore A

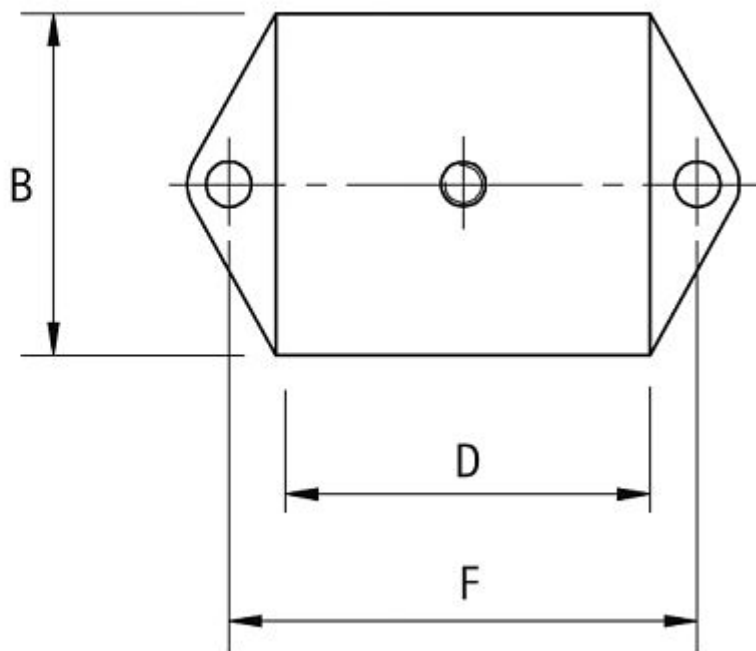
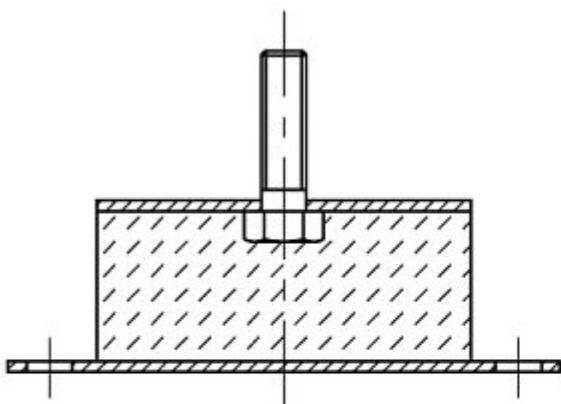
Hardness Tolerance: ± 5 SH

On request: 45 Shore A Hardness

Metallic Part Material & Finishing: Zinc Plated Steel Sheet

Standard Thread: With screw M12x40

Code	L	T	Z	Maximum Load daN	Packing Pcs.
A2SF50	50	85	115	500	1
A2SF100	100	135	165	1200	1
A2SF150	150	185	215	1400	1
A2SF200	200	235	265	1600	1



Characteristics

Main Part Material: NBR Rubber Compound

Standard Hardness: 60 Shore A

Hardness Tolerance: ± 5 SH

On request: 45 Shore A Hardness

Metallic Part Material & Finishing: Zinc Plated Steel Sheet

Standard Thread: With screw M12x30

Product Presentation: Highly resistant to the heat and oils

Use: Cab Insulation, Noise Control Units, Electric Motors etc.

Code	B	D	F	Maximum Load daN	Packing Pcs.
A2SL60	70	80	105	950	1